


The Lux-P is an adjustable monopoint with stem and cover options. Constructed from CNC precision machined parts for a close tolerance fit. Fixture can pan 360° with 90° tilt. Select cover style for surface or junction box applications.

Standard light source is the CR16 LED Bulb. The CR16 bulb interfaces with housing for maximum cooling performance. The CR16 makes tool-free re-lamping quick and easy. The use of industry standard GU5.3 bulb holder also accepts MR16 LED. This open design ensures light source flexibility and future re-lamping.

Specification

Light Source	CR16 Standard, MR16 Compatible	Dimming Protocol	Refer to Power Supply/Lamp Configuration
LED Rated Life	50,000 hours average **	Operating Temperature	-31F to 130F (-35C to 54C)
Voltage Input	12V	Lamp Maintenance	Standard GU53 Lamp Holder
CCT	2200K, 2700K, 3000K, 3500K, 4000K	Thermal Management	Fixture is Utilized as Heat Sink for CR16 Lamp
CRI	93	Fixture Construction	CNC Machined from Solid Billet 6061-T6 Aluminum + Anodize Base Marine Grade Brass 316L Stainless Steel
Lamp Holder	GU5.3	Ingress Protection	IP20 Dry Location
Lens	None, Open Air Design	Certification	

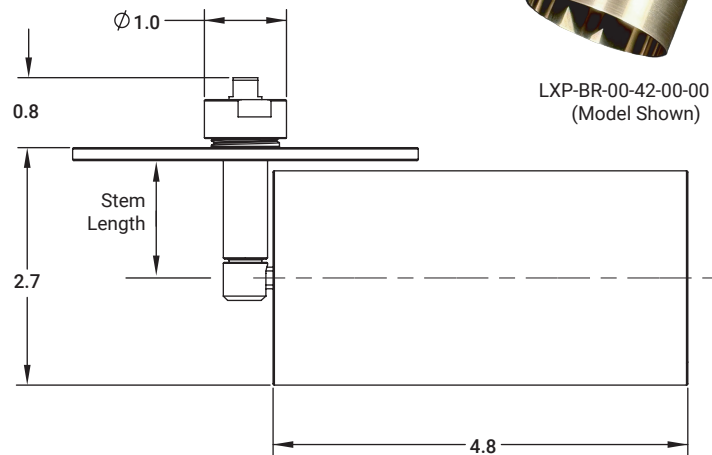
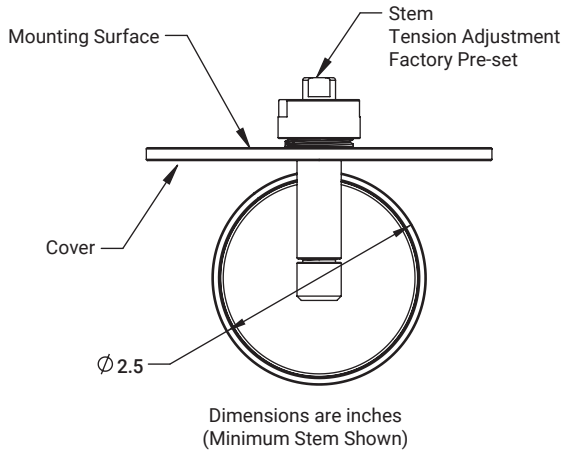
* IES LM-80 Standard ensures led light source will provide lumen maintenance and color performance.

** LED life is defined as the time to 70% lumen maintenance (L70)



LXP-BR-00-42-00-00 -N
(Model Shown)

Remote Power Supply Required



Ordering Guide

Example: LXP-BR-40-25M-CR-00-PTK Lux-P Brass, 4.0in Stem, 2.5in Magnetic Cover Plate, No Lamp, No Accessory, Patina Black Finish

LXP	BR	40	25M	00	00	PTK
Prefix	Material	Stem	Cover Dia.	Lamp	Accessory	Finish
	AL- Aluminum	00 - Minimum	25M - 2.5in Mag	00 - No Lamp	00 - None	Powder Coat
	BR- Brass	25 - 2.5in	25 - 2.5in	CR - CR16*	HX - Honeycomb	BK - Black Matte
	SS- Stainless	40 - 4.0in	42 - 4.25in	MR - MR16*	SF - Soft Focus	WT - White Satin
		CS - Custom	CS - Custom			BN - Bronze Brown
						C - Custom (Specify RAL code)

* CR/MR Lamps Specified Separately Page 2

Stem Notes:
Stem length is measured from cover to center of fixture body.

Cover Notes:
25M = 2.5in Magnetic Cover
Surface Mount/Hide Mounting Screws
25 = 2.5in Cover 1.75in Hole Spacing
Surface Mount/Custom Mud-Ring
42 = 4.25in Cover 2.75in Hole Spacing
Surface/Electrical Box/Mud-Ring

Patina (Brass Only)
PTB - Brown Bronze
PTK - Black Midnight
PTG - Gun Metal (Dark Gray)



Due to continuous improvement, DG Lights reserves the right to make any variation in design or construction without notice.

Frisco, TX 75053 - Phone: 760-734-1123 - www.dglights.com - sales@dglights.com



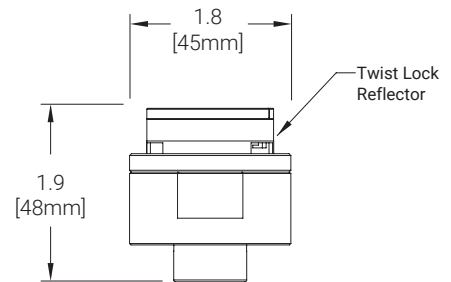
Item Code:

CR16				
Prefix	CCT	BEAM	Input	Accessory
	22 - 2200k	18 - 18°	12 - 12Vac/dc	00 - None
	27 - 2700K	24 - 24°	CC - Constant Current*	HX - Honeycomb + Clip
	30 - 3000K	36 - 36°		SF - Soft Focus
	35 - 3500K	60 - 60°		
	40 - 4000K			

- Light Source CR16 LED Bulb
- LED Rated Life 50,000 hours average *
- Voltage Input 12Vac/dc, CC Constant Current**
- Lumens 510 lm 3000K
- CCT 2200K, 2700K, 3000K, 4000K
- CRI 95
- Beam Choice 15°, 24°, 36°, 60°
- Body Color Black Anodize
- Wattage 5W
- Warranty 3yrs

Recommended Power Sources:
 12Vdc 60Watt ELV Transformer DG part number: TR-BL-60 dimming 5-100%
 Dimmable with most Magnetic and ELV transformers and dimmers. 20-100%

* For applications using constant current select CC version. CR16 CC Lamp is for LED driver applications with fixtures wired in series.
 CR16 Bulb is keyed and maintains its polarity.
 CR16 Bulb is available in 9V, 18V and 36V options refer to LED Driver specification.



CR16 LED Bulb
 Compression Heat Sink™
 PATENT PENDING

End of Life, Return to Factory
 For Refurbishing and Re-Use



Item Code:

MR16				
Prefix	CCT	Beam	Accessory	Body Color
	27 - 2700K	24 - 24°	00 - None	WT - White
	30 - 3000K	36 - 36°	HX - Honeycomb	BK - Black
	40 - 4000K	60 - 60°		
	WD -1800-3000K			

- Light Source MR16 LED Bulb
- LED Rated Life 30,000 hours average **
- Voltage Input 12Vac
- Lumens 495 lm
- CCT 2700K, 3000K, 4000K, 1800-3000K
- CRI 96
- Beam Choice 24°, 36°, 60° WD 24°, 36°
- Wattage 8W
- Warranty 3yrs 25K hrs
- Title 24 Yes

Recommended Power Source: Low Voltage Magnetic or ELV transformer.
 Phase dimmable. Test compatibility for your project.

