

The LuxP-MX is an adjustable monopoint with fixed stem for exterior applications. The addition of a glass lens and silicone gasket enables the LuxP to operate in applications open to the elements. Constructed from CNC precision machined parts for a close tolerance fit. Fixture construction is available in brass and stainless steel. These materials are proven to perform in demanding outdoor environments. Fixture can pan 360° with 90° tilt. Select cover style for surface or junction box applications.

Standard light source is the CR16 LED Bulb. The CR16 bulb interfaces with housing for maximum cooling performance. The CR16 makes tool-free re-lamping quick and easy. The use of industry standard GU5.3 bulb holder also accepts MR16 LED. This open design ensures light source flexibility and future re-lamping.


### Specification

<b>Light Source</b>	CR16 Standard, MR16	<b>Dimming Protocol</b>	Refer to power supply/lamp configuration
<b>LED Rated Life</b>	50,000 hours average ** CR16	<b>Operating Temperature</b>	-31F to 130F (-35C to 54C)
<b>Voltage Input</b>	12V	<b>Lamp Maintenance</b>	Standard GU5.3 Bulb Holder
<b>CCT</b>	2200K, 2700K, 3000K, 3500K, 4000K	<b>Thermal Management</b>	Fixture is utilized as heat sink CR16 Lamp
<b>CRI</b>	93	<b>Fixture Construction</b>	CNC Machined from Solid Billet Marine Grade Brass 316L Stainless + Corrosion Surface Treatment
<b>Lamp Holder</b>	GU5.3		
<b>Lens</b>	1/8 in Thick Borosilicate Tempered Glass		
<b>Gasket</b>	Silicone		

\* IES LM-80 Standard ensures led light source will provide lumen maintenance and color performance.

\*\* LED life is defined as the time to 70% lumen maintenance (L70)

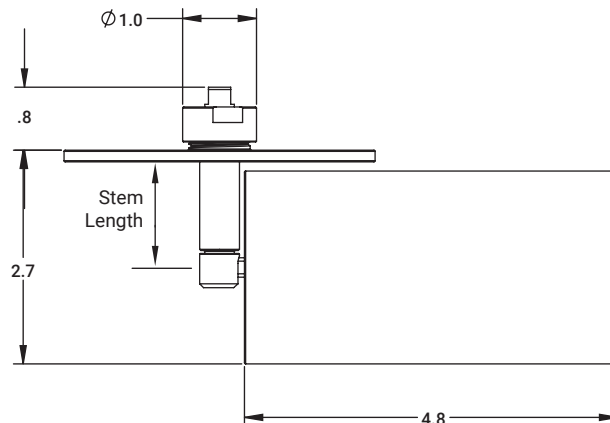
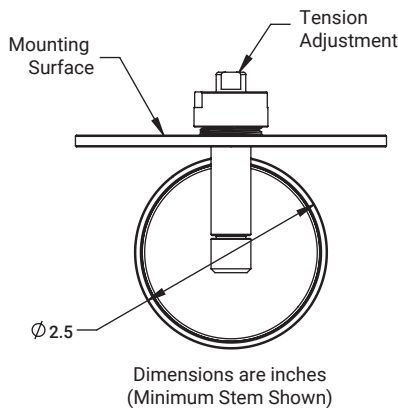
**Ingress Protection** IP66 Wet Location

**Certification** 



LXP-BR-40-42-00-00 -PTK  
(Model Shown)

### Remote Power Supply Required



### Ordering Guide

Example: LXPMX-SS-25-45-00-00-N Lux-P Stainless, 4.0in Stem, 4.5in Cover Plate, No Lamp, No Accessory, Natural Brushed Finish

<b>LXPMX</b>	<b>BR</b>	<b>40</b>	<b>45</b>	<b>00</b>	<b>00</b>	<b>N</b>
<b>Prefix</b>	<b>Material</b>	<b>Stem</b>	<b>Cover Dia.</b>	<b>Lamp</b>	<b>Accessory</b>	<b>Finish</b>
	AL - Aluminum BR - Brass SS - Stainless	00 - Minimum 25 - 2.5in 40 - 4.0in CS - Custom	25 - 2.5in 42 - 4.25in CS - Custom	00 - No Lamp CR - CR16* MR - MR16*	00 - None HX - Honeycomb SF - Soft Focus	N - Natural Brushed (Brass & Stainless)  <b>Powder Coat</b> BK - Black Matte WT - White Satin BN - Bronze Brown CL - Clear Satin C - Custom (Specify RAL code)  <b>Patina (Brass Only)</b> PTB - Brown Bronze PTK - Black Midnight PTG - Gun Metal (Dark Gray)

\* CR/MR Lamps Specified Separately Page 2

#### Stem Notes:

Stem length is measured from cover to center of fixture body.

#### Cover Notes:

- 25M = 2.5in Magnetic Cover  
Surface Mount/Hide Mounting Screws
- 25 = 2.5in Cover 1.75in Hole Spacing  
Surface Mount/Custom Mud-Ring
- 42 = 4.25in Cover 2.75in Hole Spacing  
Surface/Electrical Box/Mud-Ring
- 45 = 4.50in Cover 2.75in Hole Spacing  
Surface/Electrical Box/Mud-Ring



Due to continuous improvement, DG Lights reserves the right to make any variation in design or construction without notice.

Frisco, TX 75053 - Phone: 760-734-1123 - www.dglights.com - sales@dglights.com

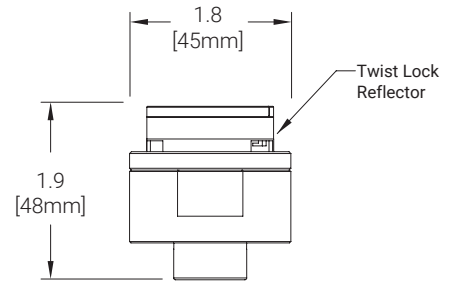
Item Code:

<b>CR16</b>				
<b>Prefix</b>	<b>CCT</b>	<b>BEAM</b>	<b>Input</b>	<b>Accessory</b>
	22 - 2200k	18 - 18°	12 - 12Vac/dc	00 - None
	27 - 2700K	24 - 24°	CC - Constant Current*	HX - Honeycomb + Clip
	30 - 3000K	36 - 36°		SF - Soft Focus
	35 - 3500K	60 - 60°		
	40 - 4000K			

- Light Source CR16 LED Bulb
- LED Rated Life 50,000 hours average \*
- Voltage Input 12Vac/dc, CC Constant Current\*\*
- Lumens 510 lm 3000K
- CCT 2200K, 2700K, 3000K, 4000K
- CRI 95
- Beam Choice 15°, 24°, 36°, 60°
- Body Color Black Anodize
- Wattage 5W
- Warranty 3yrs

Recommended Power Sources:  
 12Vdc 60Watt ELV Transformer DG part number: TR-BL-60 dimming 5-100%  
 Dimmable with most Magnetic and ELV transformers and dimmers. 20-100%

\* For applications using constant current select CC version. CR16 CC Lamp is for LED driver applications with fixtures wired in series.  
 CR16 Bulb is keyed and maintains its polarity.  
 CR16 Bulb is available in 9V, 18V and 36V options refer to LED Driver specification.



**CR16 LED Bulb**  
 Compression Heat Sink™  
 PATENT PENDING

End of Life, Return to Factory  
 For Refurbishing and Re-Use



Item Code:

<b>MR16</b>				
<b>Prefix</b>	<b>CCT</b>	<b>Beam</b>	<b>Accessory</b>	<b>Body Color</b>
	27 - 2700K	24 - 24°	00 - None	WT - White
	30 - 3000K	36 - 36°	HX - Honeycomb	BK - Black
	40 - 4000K	60 - 60°		
	WD -1800-3000K			

- Light Source MR16 LED Bulb
- LED Rated Life 30,000 hours average \*\*
- Voltage Input 12Vac
- Lumens 495 lm
- CCT 2700K, 3000K, 4000K, 1800-3000K
- CRI 96
- Beam Choice 24°, 36°, 60° WD 24°, 36°
- Wattage 8W
- Warranty 3yrs 25K hrs
- Title 24 Yes

Recommended Power Source: Low Voltage Magnetic or ELV transformer.  
 Phase dimmable. Test compatibility for your project.

