


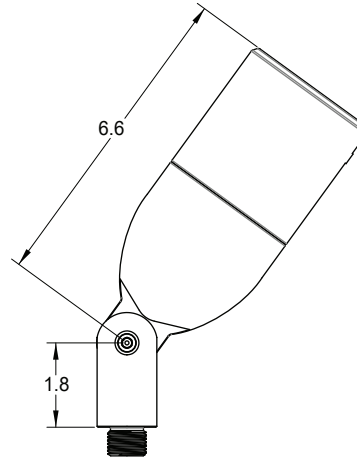
Project _____ Type _____ Quantity _____

The Phoenix is used to illuminate objects from ground or surface mount. Constructed from CNC machined parts.

CR16 LED Lamp provides high performand and tool free beam changes and re-lamping. Standard GU53 lampholder ensures flexibility in future re-lamping and service.

Specification

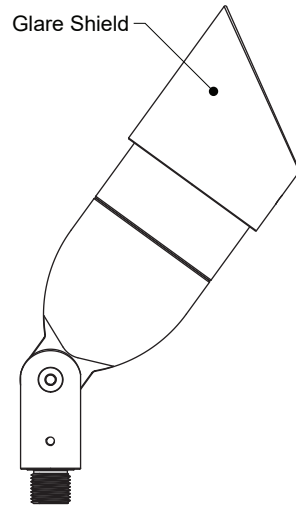
- Light Source CR16 Led Lamp * Quick Change, MR16 LED Lamp
- LED Rated Life 50,000 hours average **
- Power Consumption 12W, 15W Options
 - CCT 2200K, 2700K, 3000K, 4000K, 5000K
 - CRI 93
- Light Output 1000, 1275 Lumens (3000K)
- Input 10-15 Vac
- Lens Borosilicate Glass
- Lamp holder GU5.3
- Operating Temperature -31F to 130F (-35C to 54C)
- Maintenance Tool Free Plug-in LED Lamp
- Thermal Management Fixture is utilized as heat sink
- Fixture Construction CNC Machined from Solid Billet
- Ingress Protection IP67
- Certification 



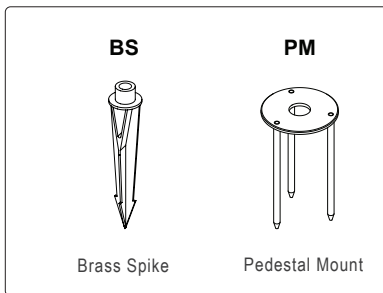
Dimensions inches [mm]

* IES LM-80 Standard ensures led light source will provide lumen maintenance and color performance.

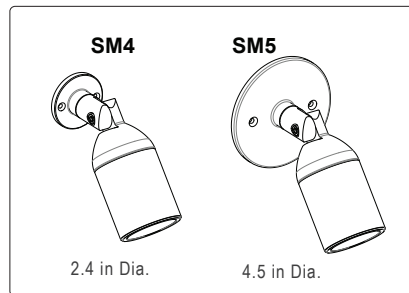
** LED life is defined as the time to 70% lumen maintenance (L70)



Ground Mount Options (Not to Scale)



Surface Mount Options (Not to Scale)



Ordering Guide

Example: PH-BR-27-36-08-HX-00-S-PTB Brass Material, 2700K, 36 deg Beam, 8 Watt, Hex Cell, Flush Cap, ABS Stake, Patina Brown Finish

PH							
Prefix	Material	CCT	Beam	Watt	Accessory	Mounting	Finish
	AL - Aluminum	22 - 2200K 27 - 2700k 30 - 3000K 40 - 4000K 50 - 5000K	18 - 18 deg 25 - 25 deg 36 - 36 deg 50 - 50 deg	08 - 672 lm 12 - 1000 lm 15 - 1275 lm	00 - None HX - Hex Cell LS - Linear SF - Soft Focus GS - Glare Shield	S - Standard BS - Brass Stake PM - Pedestal SM4 - 2.3 inch Dia. SM5 - 4.5 inch Dia. ER - ExtensionRiser + AR - Adj. Riser + TS - Tree Mount + PP - Power Post +	N - Natural BK - Black Matte Powder Coat GN - Green Powder Coat BN - Bronze Brown Powder Coat PTB - Patina Brown (BR Only) PTK - Patina Black (BR Only) C - Custom

+ Specify Separately



Technical Questions: 760-734-1123 8AM - 5PM CST

Frisco, TX 75078 - Phone: 760-734-1123 www.dglights.com - sales@dglights.com



Document S-PH
090825