

Project _____ Type _____ Quantity _____

The IG33-SQ is a shallow depth externally adjustable ingrade with square trim and pour kit. Light source can be hot aimed +/- 25° tilt using external adjustment screw when fixture is removed from mounting sleeve. Easily re-lamp in the field with Scorpion quick change compression lamp. This innovative lamp produces light at right angle to lamp holder allowing for the IG33's shallow mounting depth. Fully dimmable. Suitable for dry, damp, wet locations.

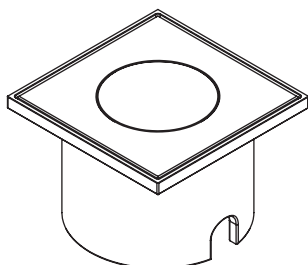
Specification

- Light Source CR8-SCRIP *
- LED Rated Life 50,000 hours average **
- Power Consumption 3W-8W Options
 - CCT 2700K, 3000K, 3500K, 4000K, 5000K, AM
 - CRI 93+
- Light Output 300-920 lm
- Input 12-15Vac
- Dimming 1-100% Standard 12V, 1-100% LED Driver ***
- Lens Flush Step, Borosilicate, Clear
- Fixture Lead Length 3 ft / 1M
- Operating Temperature -31F to 130F (-35C to 54C)
- Thermal Management Fixture is utilized as heat sink
- Fixture Construction CNC Machined from Solid Billet
- Fixture Re-Lamping Tool-Free Plug in Lamp
- Ingress Protection IP68
- Certification

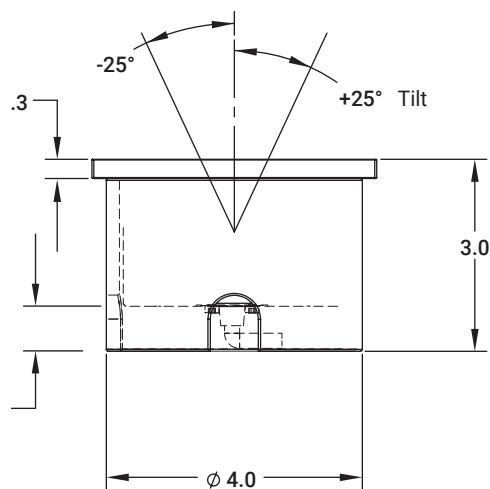
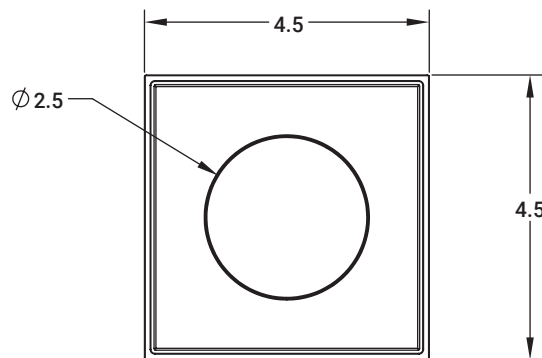
* IES LM-80 Standard ensures led light source will provide lumen maintenance and color performance.

** LED life is defined as the time to 70% lumen maintenance (L70)

*** Reference installation instructions for LED Driver/Fixture configuration



0.7
Cable + Connector Space
Fixture Cable Bend is 0.5
From Bottom of Fixture



Dimensions are inches

Ordering Guide

IG33SQ	Trim Material	LED Color	Wattage	Beam	Accessory	Power Input	Trim Finish
Prefix	AL - Aluminum BR - Brass CU - Copper SS - Stainless	27 - 2700K 30 - 3000K 35 - 3500K 40 - 4000K 50 - 5000K AM - Amber	3 - 3 W 5 - 5 W 8 - 8 W	18 - 18 deg 24 - 24 deg 36 - 36 deg 60 - 60 deg 115 - 115 deg *	00 - None SL - Slot Baffle HX - Hex Cell	12 - 12Vac/dc 120 - 120Vac ** 277 - 120-277Vac **	N - Natural (BR, CU, SS Only) CA - Brushed Clear Anodize (AL Only) BK - Black Powder Coat WT - White Powder Coat PTB - Patina Brown (BR Only) PTG - Patina Black (BR Only) PTG - Patina Gun Metal (BR Only) C - Custom, Select RAL Code
Pour Collar Stainless Steel				* No Secondary Lens		** Constant Current 120V - Remote LED Driver Phase, 0-10V Dim 277V - Remote LED Driver Phase, 0-10V Dim	



Due to continuous improvement, DG Lights reserves the right to make any variation in design or construction without notice.