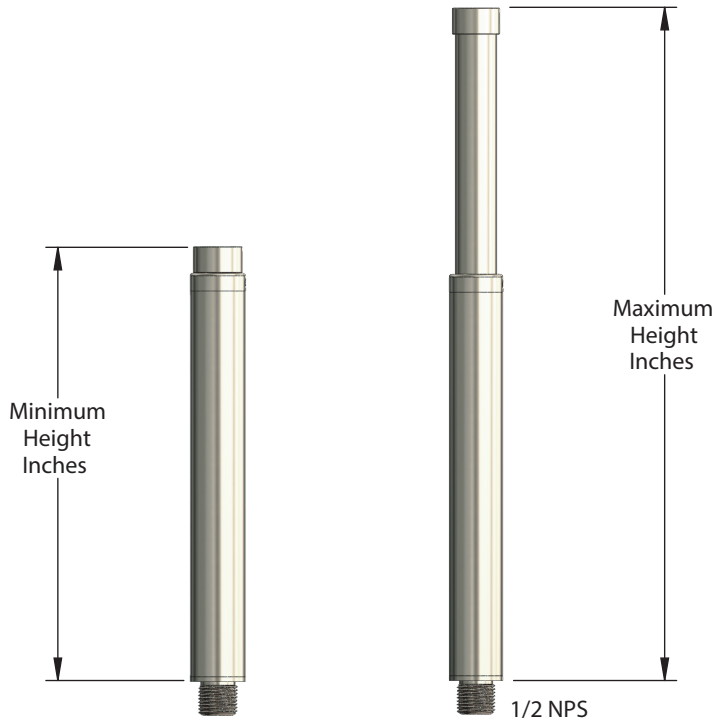


Project _____ Type _____ Quantity _____

The RSR-A is an adjustable mounting accessory for fixtures with 1/2 NPS thread. Use the RSR-A to position light fixture above existing or maturing vegetation. Constructed from CNC machined parts with heavy duty wall tubing. Suitable for low voltage light fixtures.



Ordering Guide

RSRA Prefix	Material	Height	Finish
	AL - Aluminum	914 - 9" - 14" Min/Max	N - Natural (Brass Only)
	BR - Brass	1525 - 15" - 25" Min/Max	PTB - Patina Brown
		1831 - 18" - 31" Min/Max	PTK - Patina Black
		CS - Custom, Specify Max.	BK - Powder Coat Matte Black
			BN - Powder Coat Brown
			CPC - Custom Powder Coat Specify RAL number
			C - Custom