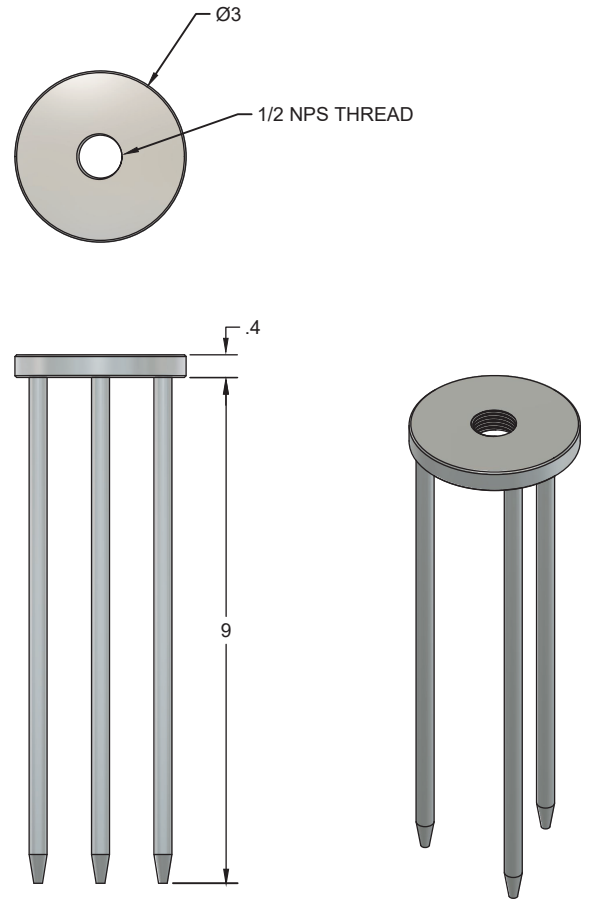


Project \_\_\_\_\_ Type \_\_\_\_\_ Quantity \_\_\_\_\_

The PM3 is a mounting accessory for fixtures with 1/2 NPS thread. Use the PM3 to stabilize fixtures in soft soil. Stainless steel construction provides strength and corrosion protection.

Construction: Base plate and spikes are CNC machined from solid stainless steel.



## Ordering Guide

**PM3**

**Prefix**

**Baseplate Finish**

- N - Natural
- BN - Bronze Brown Powder Coat
- BK - Black Matte Powder Coat
- WT - White Satin Powder Coat
- C - Choose from RAL color chart