

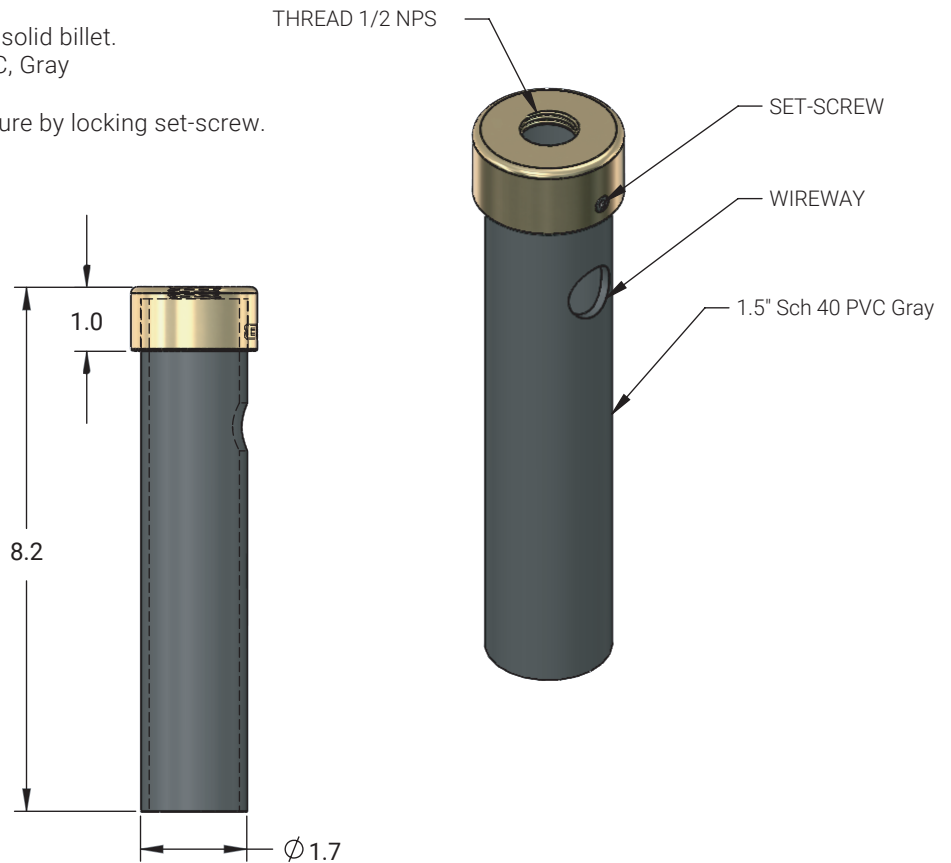
Project _____ Type _____ Quantity _____

The CP-150 is used to mount fixtures with 1/2 NPS thread. Fixture mounts to cap and secures to post via set screw. Post provides space and protection for wiring connections. Easily service with wiring connections at fixture location. Specify cap material and finish.

Construction: Cap CNC machined from solid billet.
Post, 1.5 inch Sch 40 PVC, Gray

Adjustment: Cap rotates 360 deg , secure by locking set-screw.

Note: Specify cap finish only.



Ordering Guide

CP150

Prefix	CAP	CAP Finish
AL	Aluminum	N - Natural (Brass/Copper/Stainless)
BR	Brass	BN - Bronze Brown Powder Coat
CU	Copper	BK - Black Matte Powder Coat
SS	Stainless	WT - White Satin Powder Coat
		MP - Silver Powder Coat
		PTB - Patina Brown (Brass Only)
		PTK - Patina Black (Brass Only)
		C - Choose from RAL color chart