


Project \_\_\_\_\_ Type \_\_\_\_\_ Quantity \_\_\_\_\_

The RS35 is a low profile marker light. Available in 1, 2, 3, and 4 window configurations. Applications included walkway and wall mount. Robust design is CNC machined from solid billet materials. Frosted acrylic diffuser eliminates breakage and provides soft glow illumination.

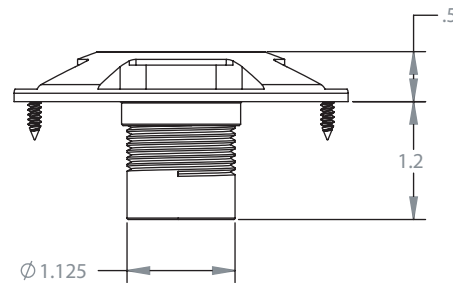
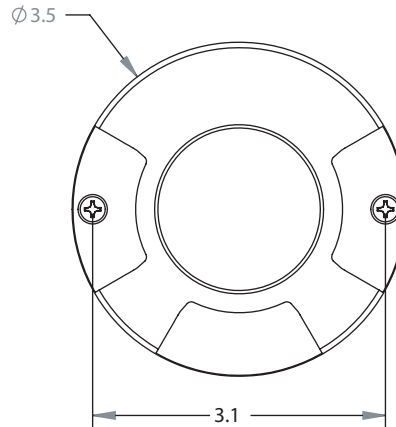
### Specification

Light Source	COB Led Module
LED Rated Life	50,000 hours average **
Power Consumption	1W, 2W, 3W Options
CCT	2700K, 3000K, 3500K, 4000K, AMBER
CRI	93
Light Output	30-85 Lumens
Input	10-15 Vac
Lens	Acrylic, Frost
Operating Temperature	-31F to 130F (-35C to 54C)
Maintenance	Tool Free LED Module
Thermal Management	Fixture is utilized as heat sink
Fixture Construction	CNC Machined from Solid Billet
Ingress Protection	IP67
Certification	

\* IES LM-80 Standard ensures led light source will provide lumen maintenance and color performance.

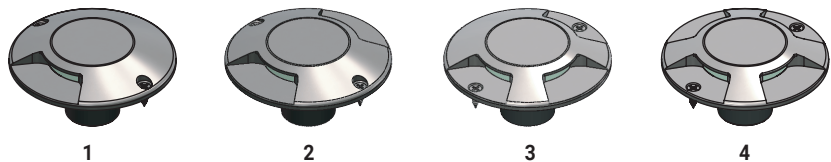
\*\* LED life is defined as the time to 70% lumen maintenance (L70)

### Low Voltage Transformer Required



Dimensions inches [ mm ]

### Opening



### Ordering Guide

Prefix	Material	CCT	Openings	Watt	Accessory	Mounting	Finish
RS35	AL - Aluminum	27 - 2700K	1 - 1 Window	1 - 1 Watt	00 - None	S - Screw Mount	N - Natural (Brass/Copper/Stainless)
	BR - Brass	30 - 3000K	2 - 2 Window	2 - 2 Watt	HX - Hex Cell	PV - 1.5 Sch 40 PVC	BK - Black Powder Coat
	CU - Copper	35 - 3500K	3 - 3 Window	3 - 3 Watt	GS - Glare Short		BN - Brown Powder Coat
	SS - Stainless	40 - 4000K	4 - 4 Window		GL - Glare Long		PTB - Patina Brown (Brass/Copper Only)
	AM - AMBER						PTK - Patina Black (Brass/Copper Only)
							C - Custom

