
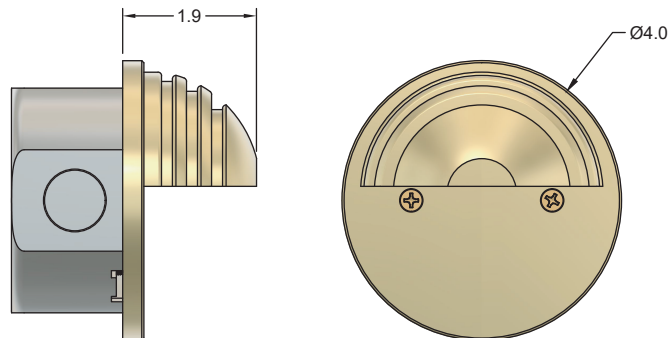


Project _____ Type _____ Quantity _____

The PASO is a wall mount fixture suited for step and walkway illumination. Fixture includes cover plate and universal mounting ring. Mounting ring attaches to standard 3.5 inch oct junction-box. Light output is directed down and forward providing glare free lighting. All components are CNC machined from solid billet material. Face can be specified with or without grooves.

Specification

Light Source	LED Module
LED Rated Life	50,000 hours average **
Power Consumption	1W, 2W, 3W, 5W Options
CCT	2700K, 3000K, 4000K, 5000K
CRI	90+
Light Output	80, 160, 240, 400 Lumens (3000K)
Input	12Vac, 120Vac, 100-277Vac
Lens	CNC Machined Acrylic
Operating Temperature	-31F to 130F (-35C to 54C)
Thermal Management	Fixture is utilized as heat sink
Fixture Construction	CNC Machined from Solid Billet
Ingress Protection	IP67
Certification	



* IES LM-80 Standard ensures led light source will provide lumen maintenance and color performance.

** LED life is defined as the time to 70% lumen maintenance (L70)

12V - Remote Low Voltage Transformer Required

Ordering Guide

PASO								
Prefix	Material	CCT	Watt	Face	Input	Dim	Mounting	Finish
AL - Aluminum	27 - 2700K	1 - 80 lm	GV - Groove	12V *	0 - No	S - Standard ***	N - Natural (Brass/Copper/Stainless)	
BR - Brass	30 - 3000K	2 - 160 lm	NG - No Groove	120V	1 - ELV	SS - Stainless Box	BK - Black Powder Coat	
CU - Copper	40 - 4000K	3 - 240 lm			2 - 0-10V **	C - Custom	BN - Brown Powder Coat	
SS - Stainless	50 - 5000K	5 - 400 lm			3 - Phase **		PTB - Patina Brown (Brass/Copper Only)	
	AM - Amber						PTK - Patina Black (Brass/Copper Only)	
							C - Custom	

* 12V Standard MLV/ELV Dimming

** 0-10V + Phase Requires 5" Dia. Cover with Stainless J-Box. (included)
Conduit Entry 1/2 NPT, 3 Places

*** Standard 3.5 inch Oct Box
Via Universal Ring (included)



www.dglights.com info@dglights.com