

Project _____ Type _____ Quantity _____

The TS accessory is for mounting spot fixtures in pole and tree applications. Adjustable strap is made from weather proof material resisting sunlight, moisture and stretch. Strap length is 6 ft and may be cut to length in field. Use cam lock buckle for smaller diameter poles and branches. Ratchet buckle provides most secure tension and is recommended for larger diameter and multiple fixture applications.

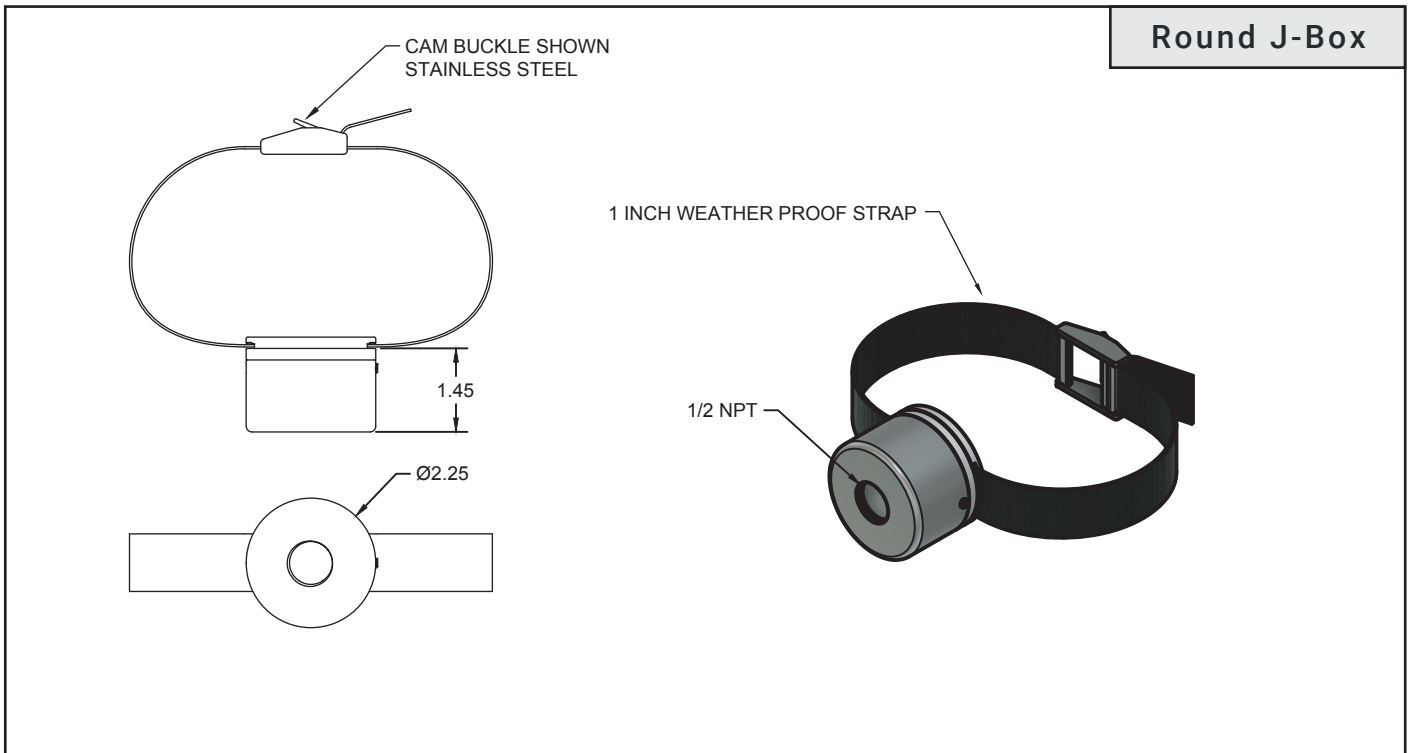
Specification

Strap length 6 ft, field cuttable
 Buckle Material Stainless Steel
 Thread 1/2 NPT

Ordering Guide

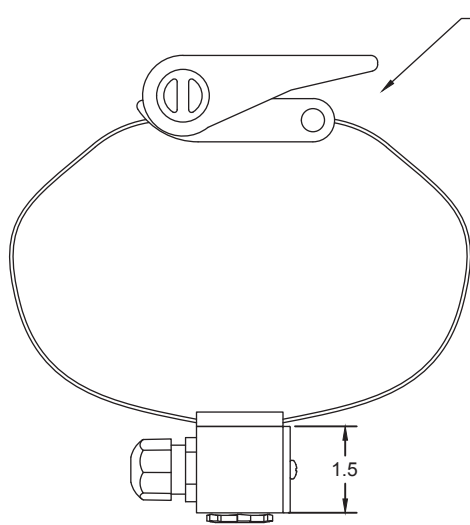
Example: TS-BR-RJB-R-2-PTB Brass Material, Round J-Box, Ratchet Buckle, Double J-box, Patina Brown Finish

TS					
Prefix	Material	J-Box	Buckle	Box Qty	Finish
AL - Aluminum	RJB - Round	C - Cam	1 - Single *	N - Natural (Brass Only)	
BR - Brass	SJB - Square	R - Ratchet	2 - Double	BK - Black Powder Coat	
			3 - Triple	BN - Brown Powder Coat	
			4 - Quad	PTB - Patina Brown (Brass Only)	
			* Cam Buckle	PTK - Patina Black (Brass Only)	
			- Single Only	C - Custom	



Project _____ Type _____ Quantity _____

Square J-Box



1 INCH WEATHER PROOF STRAP

FIXTURE HERE

