


Lux-P1 Adjustable Spotlight

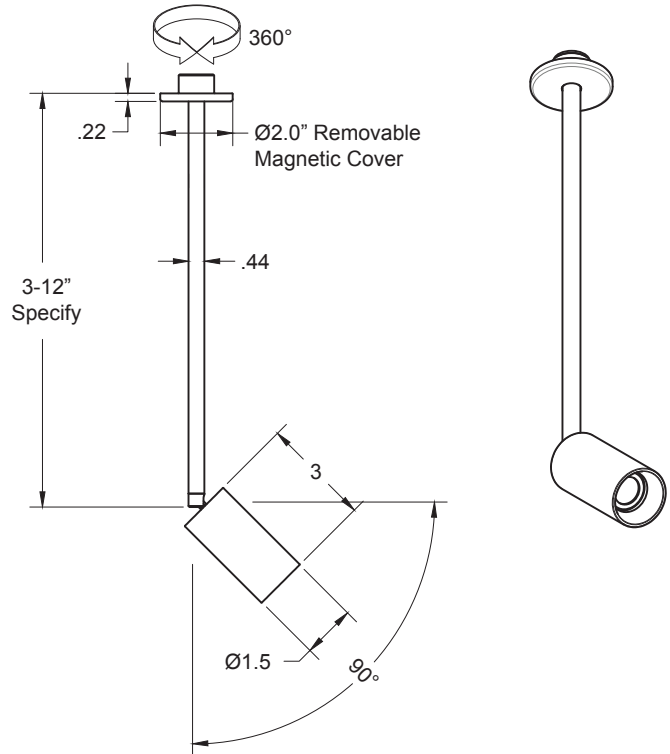
Project _____ Type _____ Quantity _____

The Lux-P1 is a surface or cover mount spotlight for overhead illumination. Deep recessed light source controls glare. Full 360 deg rotation and 90 deg of tilt aiming available. All components are precision CNC machined parts. Mount directly to surface or use cover option to mount to 3.5 inch j-box or 4 x 4 j-box with mud-ring with 2.75 inch hole spacing. Select stem length from 3-12 inches. Suitable for dry/wet applications.

CR8 LED Lamp allows for tool free beam changes and re-lamping.

Specification

Light Source	CR8 Led Lamp * Quick Change
LED Rated Life	50,000 hours average **
Power Consumption	1W, 2W, 3W, 5W Options
CCT	2700K, 3000K, 4000K, 5000K
CRI	98
Light Output	65, 130, 195, 325 Lumens
Input	10-15 Vac
Dimming	MLV, ELV, 0-10 ***
Lens	Borosilicate Glass
Lamp holder	GU5.3
Operating Temperature	-31F to 130F (-35C to 54C)
Maintenance	Tool Free Plug-in LED Lamp
Thermal Management	Fixture is utilized as heat sink
Fixture Construction	CNC Machined from Solid Billet
Ingress Protection	IP67
Certification	



* IES LM-80 Standard ensures led light source will provide lumen maintenance and color performance.

** LED life is defined as the time to 70% lumen maintenance (L70)

*** Dimming method depends on power supply

Remote Transformer Required

CR8 LED Lamp
Compression Heat Sink™
PATENT PENDING



Renewable Product
End of lamp life -
Replace lamp electronics
Re-use lamp body

Ordering Guide

Example: LXP1-AL-27-25-5-HX-S-12-CA Alum Material, 2700K, 25deg Beam, 5Watt, Hex Cell, Surface mount + 2in Cover, 12in Stem, Brushed Clear Anodize

LXP1

Prefix	Material	CCT	Beam	Watt	Accessory	Mounting	Stem	Finish
AL	Aluminum	27 - 2700K	18 - 18°	1 - 65 lm	00 - None	C - 5" dia. Cover*	3 - 3 inch	N - Natural (Brass/Copper/Stainless)
BR	Brass	35 - 3500K	25 - 25°	2 - 130 lm	HX - Hex Cell	S - Surface 2.0" dia. Magnetic	6 - 6 inch	CA - Clear Brused Anodize (Aluminum)
CU	Copper	30 - 3000K	40 - 40°	3 - 195 lm			9 - 9 inch	BA - Black Matte Anodize
SS	Stainless	40 - 4000K		5 - 325 lm		* 5" dia. cover 2.75" Hole spacing	12 - 12 inch	BK - Black Matte Powder Coat
		50 - 5000K					C - Custom	WT - White Powder Coat
								MP - Metallic Powder Coat
								PTB - Patina Brown (Brass Only)
								PTK - Patina Black (Brass Only)
								C - Choose from RAL color chart



Vista, CA 92081 www.dglights.com info@dglights.com

