


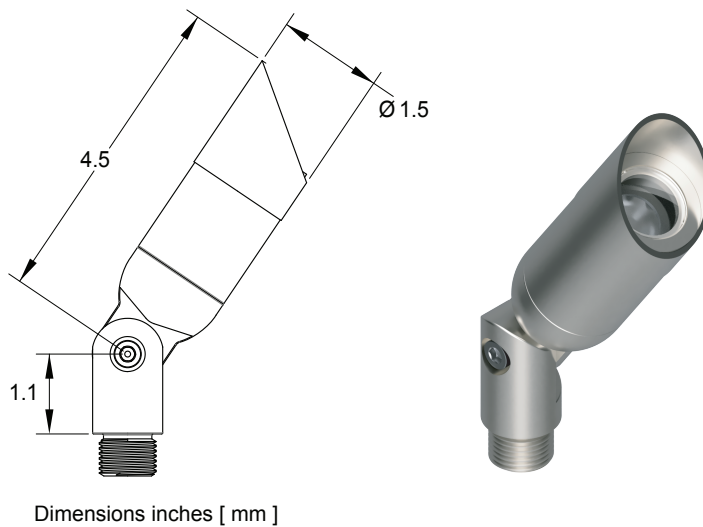
# P65 Spotlight

Project \_\_\_\_\_ Type \_\_\_\_\_ Quantity \_\_\_\_\_

The P65 is used to illuminate objects from ground or surface mount. Constructed from CNC machined parts. 10 inch ABS stake standard mounting, optional cast brass stake or stainless pedestal mount. CR8 LED Lamp allows for tool free beam changes and re-lamping.

## Specification

Light Source	CR8 Led Lamp * Quick Change
LED Rated Life	50,000 hours average **
Power Consumption	1W, 2W, 3W, 5W Options
CCT	2700K, 3000K, 4000K, 5000K
CRI	93
Light Output	65, 130, 195, 265 Lumens (3000K)
Input	10-15 Vac
Lens	Borosilicate Glass
Lamp holder	GU5.3
Operating Temperature	-31F to 130F (-35C to 54C)
Maintenance	Tool Free Plug-in LED Lamp
Thermal Management	Fixture is utilized as heat sink
Fixture Construction	CNC Machined from Solid Billet
Ingress Protection	IP67
Certification	

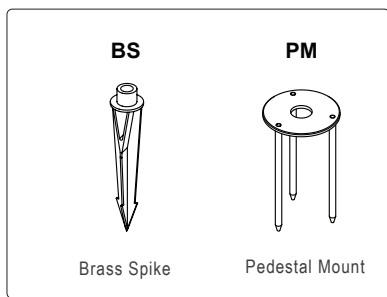


\* IES LM-80 Standard ensures led light source will provide lumen maintenance and color performance.

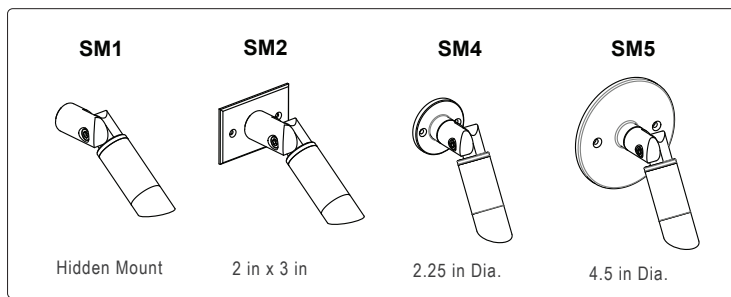
\*\* LED life is defined as the time to 70% lumen maintenance (L70)

## Low Voltage Transformer Required

Ground Mount Options ( Not to Scale )



Surface Mount Options ( Not to Scale )



## Ordering Guide

Example: P65-BR-27-25-3-HX-S-PTB Brass Material, 2700K, 25deg Beam, 3Watt, Hex Cell, 10 inch ABS stake, Patina Brown Finish

Prefix	Material	CCT	Beam	Watt	Accessory	Mounting	Finish
P65	AL - Aluminum	27 - 2700K	18 - 18 deg	1 - 65 lm	00 - None	S - Standard	N - Natural
	BR - Brass	30 - 3000K	25 - 25 deg	2 - 130 lm	HX - Hex Cell	BS - Brass Stake	BK - Black Powder Coat
	CU - Copper	40 - 4000K	40 - 40 deg	3 - 195 lm		PM - Pedestal	WT - White Powder Coat
	SS - Stainless	50 - 5000K		5 - 265 lm		SM1 - Hidden	PTB - Patina Brown (Brass Only)
						SM2 - 2x3 inch	PTK - Patina Black (Brass Only)
						SM4 - 2.25 Round	C - Custom
						SM5 - 4.50 Round	
						FR - Fixed Riser +	
						AR - Adj. Riser +	
						TS - Tree Mount +	

+ Specify Separately



Vista, CA 92081 www.dglights.com info@dglights.com

