


IG7 Adjustable Inground

Project _____ Type _____ Quantity _____

The IG7 is an adjustable inground fixture. LED light source has +/- 15 degs of tilt and full 360 deg rotation. Heatsink design utilizes entire fixture body.

Soil or concrete applications. Suitable for wet locations.

Specification

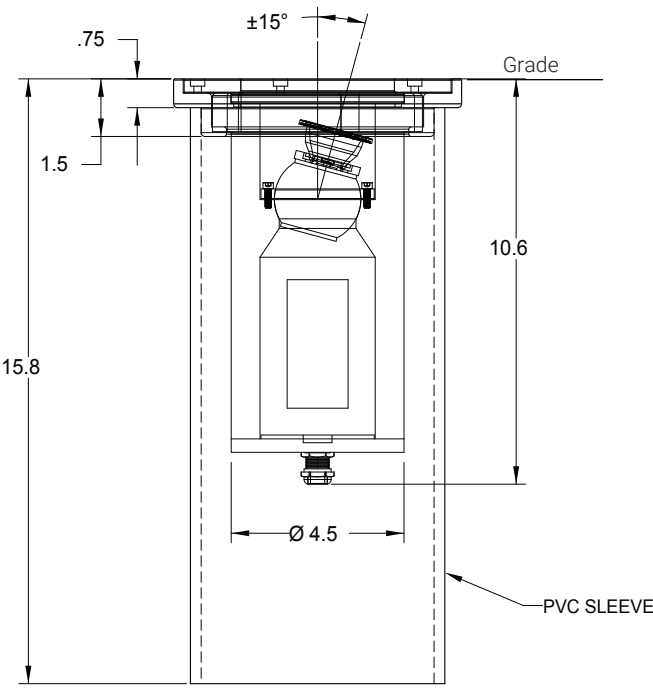
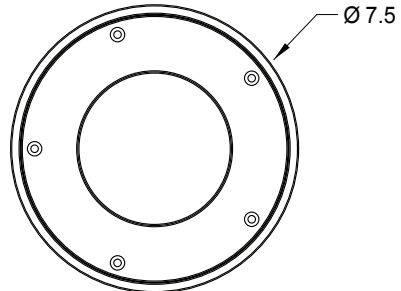
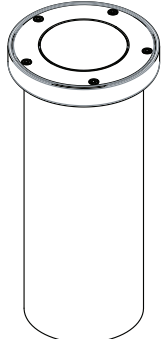
- Light Sources COB LED Module *
- LED Rated Life 50,000 hours average **
- Power Consumption 15 Watts Maximum
- Power Input 120-277Vac
- CCT 2700K, 3000K, 4000K, 5000K
- CRI 93
- Light Output 1000-1275 Lumens
- Lens 5/8 inch Thick Clear Tempered Borosilicate Glass
- Fasteners Stainless steel
- Pour Collar 316 Stainless steel Collar / PVC Sleeve
- Gasket High Temp Silicone
- Aiming +/- 15 deg Tilt, 360 deg Rotation, Fixed Vertical
- Operating Temperature -31F to 130F (-35C to 54C)
- Maintenance Field serviceable Driver and LED module
- Thermal Management Fixture is utilized as heat sink
- Fixture Construction CNC Machined from Solid Billet
- Ingress Protection IP67
- Certification 

* IES LM-80 Standard ensures led light source will provide lumen maintenance and color performance.

** LED life is defined as the time to 70% lumen maintenance (L70)

Features

- Interchangeable Reflectors
- IP67
- Fully Adjustable light source



Dimensions Inches

Ordering Guide

Example: IG7-SS-30-36-12-PH-00-N IG4 Inground, Brass Trim, 3000K, 36 deg Beam, No Hex, Natural Trim Finish

Prefix	Trim Material	LED Color	Beam	Wattage	Dimming	Accessory	Trim Finish
IG7	SS - Stainless C - Custom	27 - 2700K 30 - 3000K 40 - 4000K 50 - 5000K	18 - 16 deg 24 - 24 deg 36 - 36 deg 60 - 60 deg 115 - 115 deg	12 - 1000 lm 15 - 1275 lm	PH - Phase 10 - 0-10V	00 - None HX - Hex Cell	N - Natural BK - Black Powder Coat C - Custom



Vista, CA 92081 www.dglights.com info@dglights.com



Due to continuous improvement, DG Lights reserves the right to make any variation in design or construction without notice.

Document Number: S-IG7
111318