


Project _____ Type _____ Quantity _____

The IG3 is an adjustable compact inground fixture. LED light source has +/- 18 degs of tilt and full 360 deg rotation. Heatsink design utilizes entire fixture body.

The IG3 inground is available in multiple trim finishes and lens options. Soil or concrete applications. Suitable for wet locations.

Specification

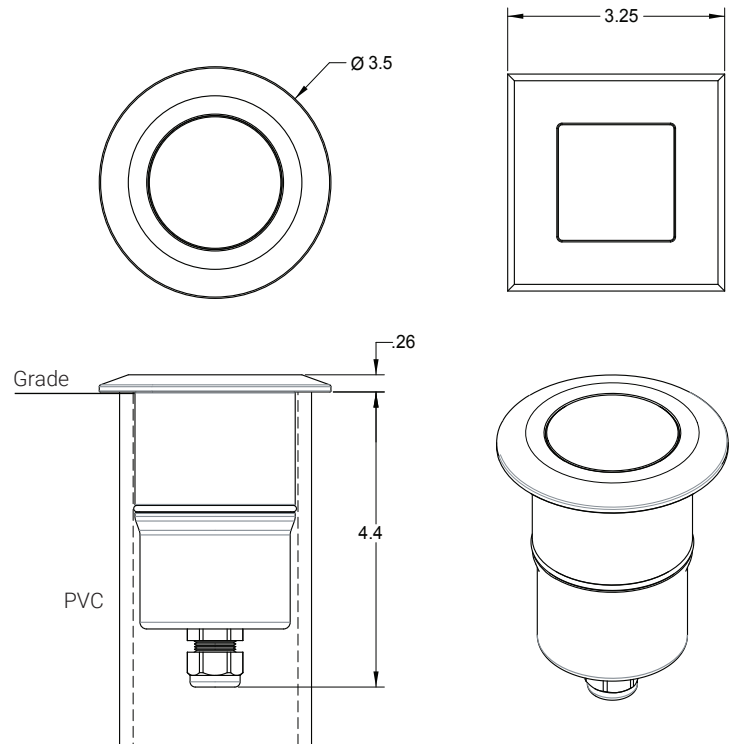
Light Sources	LED Module *
LED Rated Life	50,000 hours average **
Power Consumption	5 Watts Maximum
CCT	2700K, 3000K, 4000K, 5000K
CRI	93
Light Output	200-400 Lumens
Lens	3/8 inch Thick Clear Tempered Borosilicate Glass
Fasteners	Stainless steel
Mounting	2.5 inch Sch 40 PVC Conduit
Gasket	High Temp Silicone
Aiming	+/- 18 deg Tilt, 360 deg Rotation, Fixed Vertical
Operating Temperature	-31F to 130F (-35C to 54C)
Maintenance	Field serviceable Driver and LED module
Thermal Management	Fixture is utilized as heat sink
Fixture Construction	CNC Machined from Solid Billet
Ingress Protection	IP67
Certification	

* IES LM-80 Standard ensures led light source will provide lumen maintenance and color performance.

** LED life is defined as the time to 70% lumen maintenance (L70)

Features

Fully Adjustable light source
IP67



Dimensions inches

Ordering Guide

Example: IG3-BR-30-5-36-00-N IG3 Inground, Brass Trim, 3000K, 5W, 36 deg Beam, No Hex, Natural Trim Finish

IG3						
Prefix	Trim Material	LED Color	Wattage	Beam	Accessory	Trim Finish
AL - Aluminum	27 - 2700K	3 - 240 lm	16 - 16 deg	00 - None	N - Natural (Brass/Stainless Only)	
BR - Brass	30 - 3000K	5 - 400 lm	24 - 24 deg	HX - Hex Cell	CA - Clear Anodize	
CU - Copper	40 - 4000K		36 - 36 deg		BK - Black Powder Coat	
SS - Stainless	50 - 5000K		4016 - 40x16		PTB - Patina Brown (Brass Only)	
			115 - 115 deg		PTK - Patina Black (Brass Only)	
					C - Custom	