
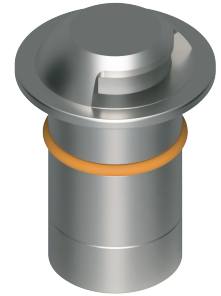
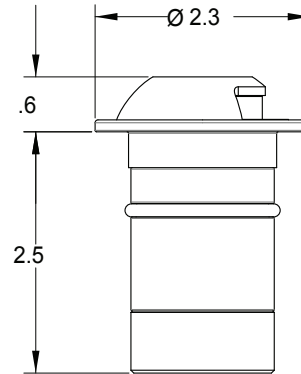


Project _____ Type _____ Quantity _____

The GL can be used to illuminate walkways and steps. Constructed from precision CNC machined parts.
Fits in 1.5 inch schedule 40 pvc conduit.
CR8 LED Lamp allows for tool free re-lamping.

Specification

Light Source	CR8 Led Lamp * Quick Change
LED Rated Life	50,000 hours average **
Power Consumption	1W, 2W, 3W Options
CCT	2700K, 3000K, 4000K, 5000K
CRI	93
Light Output	25, 50, 150 Lumens
Input	10-15 Vac
Lens	Impact resistance acrylic
Lamp holder	GU5.3
Operating Temperature	-31F to 130F (-35C to 54C)
Maintenance	Tool Free Plug-in LED Lamp
Thermal Management	Fixture is utilized as heat sink
Fixture Construction	CNC Machined from Solid Billet
Ingress Protection	IP67
Certification	



Dimensions inches [mm]

* IES LM-80 Standard ensures led light source will provide lumen maintenance and color performance.

** LED life is defined as the time to 70% lumen maintenance (L70)

Low Voltage Transformer Required

Ordering Guide

Example: GL-BR-27-3-PTB Brass Material, 2700K, 3Watt, Natural Finish

GL				
Prefix	Material	CCT	Watt	Finish
AL - Aluminum	27 - 2700K	1 - 25 lm	N - Natural	
BR - Brass	30 - 3000K	2 - 50 lm	BK - Black Powder Coat	
CU - Copper	40 - 4000K	3 - 150 lm	WT - White Powder Coat	
SS - Stainless	50 - 5000K		PTB - Patina Brown (Brass Only)	
			PTK - Patina Black (Brass Only)	
			C - Custom	