


Calzada P

Area/Walkway/Counter/Table

Project _____ Type _____ Quantity _____

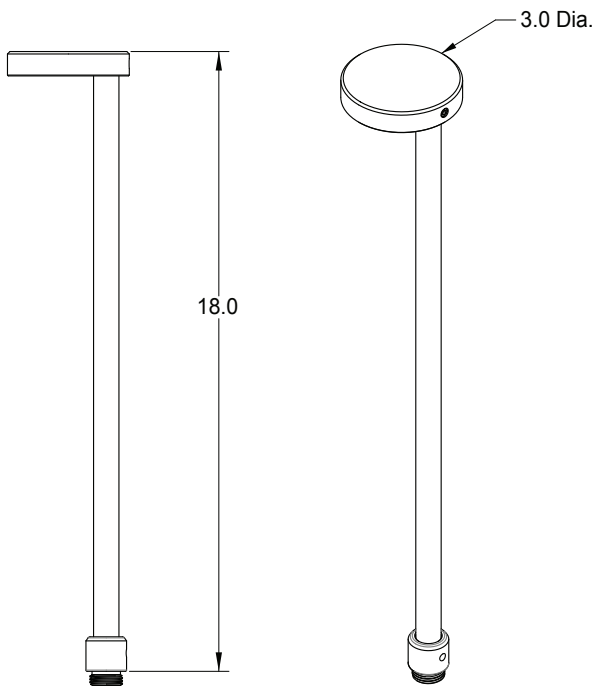
The CZP is used to illuminate area and walkways. Specify flange mount for counter/table top applications. Constructed from CNC machined parts and heavy wall tubing.
 10 inch ABS stake standard mounting, optional cast brass stake or stainless pedestal mount.

Specification

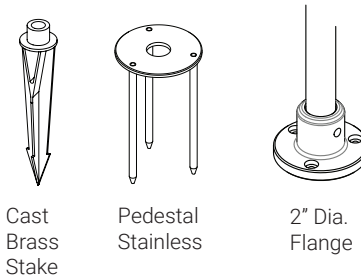
- Light Sources COB LED Module *
- LED Rated Life 50,000 hours average **
- Power Consumption 3 Watts
- CCT 2700K, 3000K, 4000K, 5000K
- CRI 93
- Light Output 200 Lumens
- Input 10-15 Vac
- Lens Borosilicate Glass
- Fasteners Stainless steel
- Operating Temperature -31F to 130F (-35C to 54C)
- Maintenance Field serviceable Driver and LED module
- Thermal Management Fixture is utilized as heat sink
- Fixture Construction CNC Machined from Solid Billet and heavy wall tubing
- Ingress Protection IP67
- Certification 

* IES LM-80 Standard ensures led light source will provide lumen maintenance and color performance.

** LED life is defined as the time to 70% lumen maintenance (L70)



Dimensions inches



Ordering Guide

Example: CZP-BR-27-18-S-PTB Brass Material, 2700K, 18" Post Height, 10 inch ABS stake, Patina Brown Finish

Prefix	Material	CCT	Height	Mounting	Finish
AL - Aluminum	27 - 2700K	12 - 12 inch	S - Standard	N - Natural	
BR - Brass	30 - 3000K	18 - 18 inch	BS - Brass Stake	BK - Black Powder Coat	
CU - Copper	40 - 4000K	C - Custom	PM - Pedestal	PTB - Patina Brown (Brass Only)	
SS - Stainless	50 - 5000K		FG - Flange	PTK - Patina Black (Brass Only)	
				C - Custom	



Vista, CA 92081 www.dglights.com info@dglights.com



Document Number: S-CZP
12821

Due to continuous improvement, DG Lights reserves the right to make any variation in design or construction without notice.