


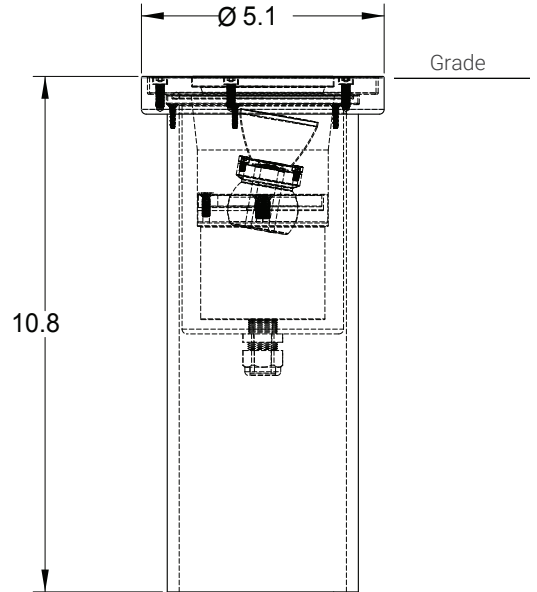
Project: \_\_\_\_\_ Type: \_\_\_\_\_ Quantity: \_\_\_\_\_

The IG4 is an adjustable compact LED inground fixture. LED light source has +/- 18 degs of tilt and full 360 deg rotation. Ball heatsink design utilizes entire fixture body as the heat sink.

The IG4 inground is versatile and available in multiple trim finishes and lens options. Soil or concrete applications. Suitable for wet locations.

**Specification**

- Light Sources COB LED Module \*
- LED Rated Life 50,000 hours average \*\*
- Power Consumption 8 Watts Maximum
- Standard LED Color 2700K +/- 175 CCT Typical
- CRI 90 Typical
- Light Output 200-600 Lumens
- Lens 1/4 inch Thick Clear Tempered Borosilicate Glass
- Fasteners Stainless steel
- Pour Collar Stainless steel Collar / PVC Sleeve
- Gasket High Temp Silicone
- Aiming +/- 18 deg Tilt, 360 deg Rotation, Fixed Vertical
- Operating Temperature -31F to 130F (-35C to 54C)
- Maintenance Field serviceable Driver and LED module
- Thermal Management Fixture is utilized as heat sink
- Fixture Construction CNC Machined from Solid Billet
- Ingress Protection IP67
- Certification 



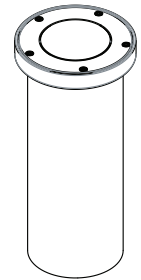
Dimensions inches

\* IES LM-80 Standard ensures led light source will provide lumen maintenance and color performance.

\*\* LED life is defined as the time to 70% lumen maintenance (L70)

**Features**

- Interchangeable Reflectors
- IP67
- Fully Adjustable light source



**Ordering Guide**

Example: IG4-BR-30-36-00-N IG4 Inground, Brass Trim, 3000K, 36 deg Beam, No Hex, Natural Trim Finish

IG4					
Prefix	Trim Material	LED Color	Beam	Accessory	Trim Finish
BR - Brass	27 - 2700K	18 - 16 deg	00 - None	N - Natural (Brass, Copper Only)	
CU - Copper	30 - 3000K	24 - 24 deg	HX - Hex Cell	BK - Black	
SS - Stainless	40 - 4000K	36 - 36 deg		PT - Patina (Brass Only)	
	55 - 5500K	60 - 60 deg		C - Custom	
	AM - Amber	115 - 115 deg			



Vista, CA 92081 www.dglights.com info@dglights.com

