


Project: \_\_\_\_\_ Type: \_\_\_\_\_ Quantity: \_\_\_\_\_

The RC200 is a small aperture recessed LED light intended for low level illumination of step and walkways. The RC200's light source is the patent pending CR LED Module. This innovative plug-in design is the only LED module that interfaces with its host fixture without the use of mounting hardware. By eliminating mounting hardware service and upgrade times are reduced to only a few seconds. By interfacing securely with fixture body the CR module is able to transfer heat away from LED light source through fixture to surrounding air.

The RC200 is available in many finishes, lens options and accessories. Key features are tool-free interchangeable CR8 Module™. Suitable for use in wet locations. Integral and dimmable low voltage LED driver.

Light Source	C-Socket™ Quick Change™ Type CR8 LED Lamp*
LED Rated Life	50,000 hours average **
Input	9-18 Vac
Power Consumption	3.7 Watts Maximum
Standard LED Color	2700K +/- 175 CCT Typical
CRI	90 Typical
Lens Cover	1/8 inch Clear Borosilicate Glass
Cable Lead	3 ft 18-2 AWG Direct Burial Rated
Standard Mounting	1.5 inch Schedule 40 Electrical Conduit
Operating Temperature	-31F to 122F (-35C to 50C)
Maintenance	Push-in Pull-out LED Lamp
Thermal Management	Fixture is utilized as heat sink
Ingress Protection	IP66
Certification	

\* IES LM-80 Standard ensures led light source will provide lumen maintenance and color performance.

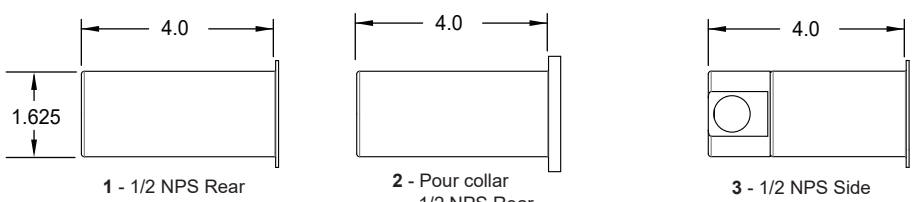
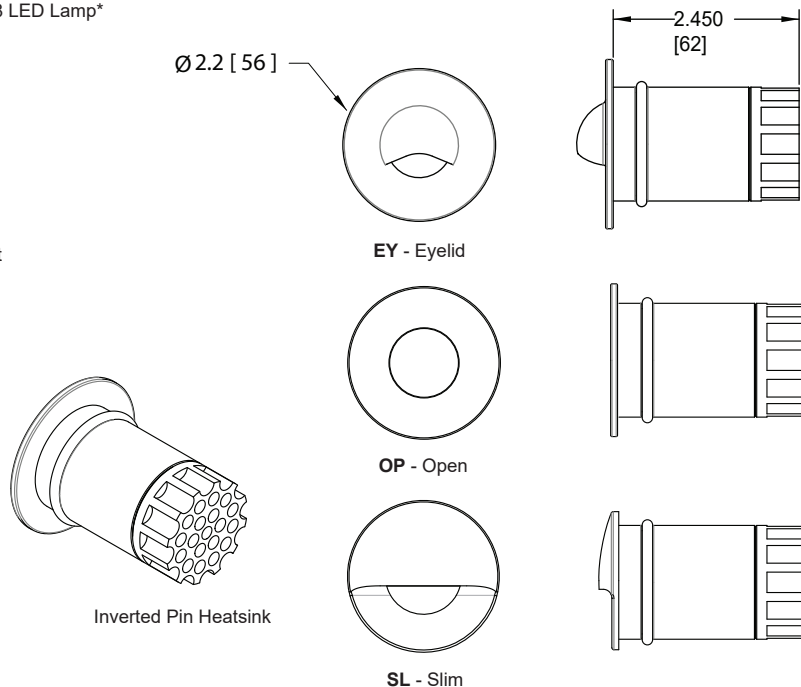
\*\* LED life is defined as the time to 70% lumen maintenance (L70)

**Remote Low Voltage Transformer Required**

**Features**

- Interchangeable LED Module
- Dimming 10-100 %
- Recessed light source for glare control
- Optional mounting sleeves

**Dimensions inches [ mm ]**



**Ordering Guide**

Example: **RC200-BR-1-27-W40-EY-HX-N-0** RC200, Brass, 1 WATT, 2700k, 40deg Beam, Eyelid Face, Hex Cell Louver, Natural Finish, Standard PVC conduit mounting

Prefix	Material	Module	LED Color	Beam	Face Style	Accessory	Finish	Mounting
AL	Aluminum	1 - 1 Watt	27 - 2700K	N10 -10 deg	EY - Eyelid	00 - None	N - Natural	0 - No Metal Mounting Sleeve Inserts into 1.5in Sch 40 PVC Conduit
BR	Brass	3 - 3 Watt	30 - 3000K	M25 - 25 deg	OP - Open	HX - Hex Cell	BK - Black	
CU	Copper		40 - 4000K	W40 - 40 deg	SL - Slim		WT - White	1 - 4 inch Mounting Sleeve, 1/2 inch NPS Rear Conduit Entry
SS	Stainless		55 - 5500K	F115 - 115 deg			BN - Brown	
			AM - Amber				GN - Green	2 - 4 inch Pour Collar Sleeve, 1/2 inch NPS Rear Conduit Entry
			RD - Red				MP - Silver	
			GN - Green				NK - Nickel	
			BL - Blue				PT - Patina	3 - 4 inch Mounting Sleeve, 1/2 inch NPS Side Conduit Entry
							C - Custom	



Vista, CA 92081  
www.dglights.com info@dglights.com

