


Project: _____ Type: _____ Quantity: _____

The TriPalm is a high performance LED spot. The TriPalm's design is based on longevity of service, aesthetics, performance and ease of use.

The heart of the TriPalm is the patent pending CR style LED module. This innovative design is the only LED module that interfaces directly with its host fixture without mounting hardware. By eliminating mounting hardware service and upgrade times are significantly reduced. Interfacing directly with fixture body the CR module is able to use the entire fixture as the heat sink providing critical heat transfer away from LED light source. CNC machined from solid billet material to withstand the harshest environments.

The TriPalm is available in many finishes, lens options and accessories. Key features are tool-free interchangeable CR style LED lamp with interchangeable twist lock reflectors. For use in wet locations.

Specification

Light Source	CR16 LED Lamp™ C-Socket™ Quick Change™
LED Rated Life	50,000 hours average **
Input	11-15Vac
Power Consumption	9 Watts Maximum
Standard LED Color	2700K +/- 175 CCT Typical
CRI	80 Typical
Lens Cover	3/16 inch Clear Borosilicate
Cable Lead	3ft 18-2 AWG
Standard Mounting	ABS Cap and PVC Post
Operating Temperature	-31F to 122F (-35C to 50C)
Maintenance	Tool-Free LED Lamp
Thermal Management	Fixture is utilized as heat sink
Ingress Protection	IP66
Certification	

* IES LM-80 Standard ensures led light source will provide lumen maintenance and color performance.

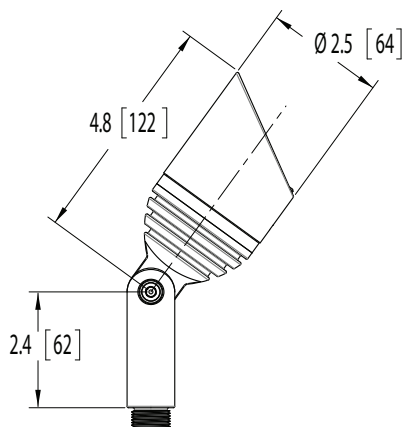
** LED life is defined as the time to 70% lumen maintenance (L70)

Remote Low Voltage Transformer Required

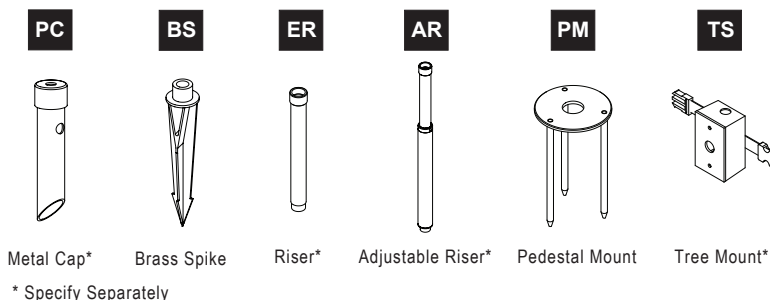
Features

- Interchangeable Integrated LED Lamp
- Interchangeable Twist-Lock Reflector
- Renewable LED Lamp Design
- IP66
- Recessed light source for glare control

Dimensions inches [mm]



Mounting Options (Not to Scale)



Ordering Guide

Example:

TP-BR-CR16-27-6-12-HX-01-N-BS TriPalm, Brass, CR16, 2700k, 12 deg Beam, Hex Cell, Flush Cap, Natural, Brass Stake

TP	BR	CR16	27	6	12	HX	00	N	BS
Prefix	Material	Lamp	LED Color	Watt	Beam	Accessory	Cap Style	Finish	Mounting
	AL- Aluminum BR- Brass CU- Copper	GR16	27 - 2700K 30 - 3000K 40 - 4000k 50 - 5000K	3 - 180 lm 6 - 360 lm 9 - 540 lm	12 - 12 deg 20 - 20 deg 30 - 30 deg 50 - 50 deg - 85 deg	00 - None HX - Hex Cell	00 - Flush 01 - Angle 02 - Recessed	N - Natural BK - Black WT - White BN - Brown GN - Green MP - Silver NK - Nickel PT - Patina C - Custom	PV - ABS Cap PVC Post (Standard) PC - Metal Cap * BS - Cast Brass Spike ER - Extension Riser * AR - Adjustable Riser * PM - Pedestal Mount TS - Tree Strap * * Specify Separately



1501 San Elijo Rd., San Marcos, CA 920178
www.dglights.com info@dglights.com



Document Number: S-TP
Rev: 63019