


Project: _____

Type: _____ Quantity: _____

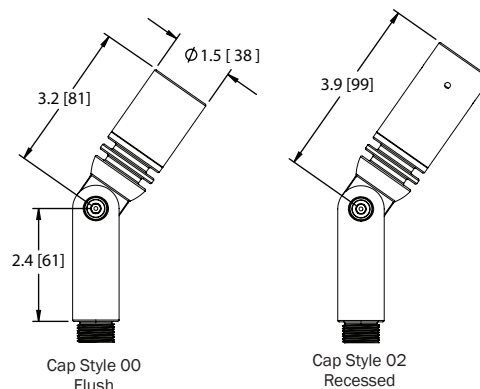
The Palm65 is a high performance compact spot with emphasis on thermal management. The P65's light source is the patent pending CR LED lamp. This innovative design is the only LED lamp that interfaces directly with its host fixture without mounting hardware. By eliminating mounting hardware service and upgrade times are significantly reduced. Interfacing directly with fixture body the CR8 lamp is able to use the entire fixture as the heat sink.

The Palm65 spot is versatile and available in multiple finishes and lens options. Key features are tool-free interchangeable CR module and internal or external low voltage driver. Compatible with CR8 LED Lamps.

Specification

Light Source	CR8 LED Lamp * C-Socket™ Quick Change™
LED Rated Life	50,000 hours average **
Input	15Vac Maximum Refer to page 2 Lamp Selection
Power Consumption	5 Watts Maximum
Standard LED Color	2700K +/- 175 CCT Typical
CRI	90 Typical
Cable Lead	2 FT 18 AWG
Standard Mounting	Ground Stake
Operating Temperature	-31F to 122F (-35C to 50C)
Maintenance	Tool Free Plug-in LED Module
Thermal Management	Fixture is utilized as heat sink
Ingress Protection	IP66
Certification	

Dimensions inches [mm]



* IES LM-80 Standard ensures led light source will provide lumen maintenance and color performance.

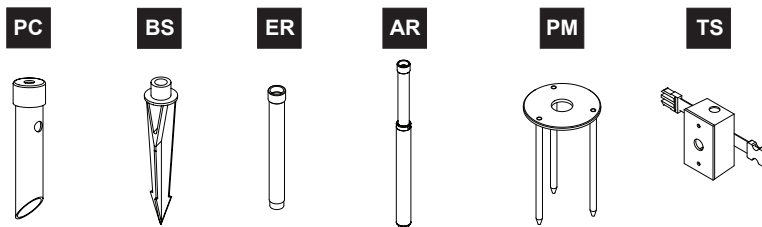
** LED life is defined as the time to 70% lumen maintenance (L70)

Remote Low Voltage Transformer Required

Features

- Interchangeable Integrated LED Lamp
- Interchangeable Optics
- Reversible LED Lamp Design
- IP66
- Recessed light source for glare control

Mounting Options (Not to Scale)



Metal Cap* Brass Spike Riser* Adjustable Riser* Pedestal Mount Tree Mount*
* Specify Separately

See Page 2 for Ordering Guide

Ordering Guide

Example: **P65-BR-X-27-40-5-HX-N-PV** P65, Brass, CR8X Lamp, 2700K, 40 deg, 5 Watt, Hex Cell Louver, Natural Finish, PV Ground Stake

P65	BR	X-27-40-5	HX	N	PV
Prefix	Material	LED Lamp	Accessory	Finish	Mounting
	AL - Alum BR - Brass CU - Copper SS - Stainless		00 - None HX - Hex Cell	N - Natural BK - Black * WT - White * BN - Brown * MP - Metallic * PTB - Patina Brown PTK - Patina Black C - Custom	PV - Ground Stake (Standard) PC - Metal Cap and Post BS - Cast Brass Spike PM - Pedestal Mount ER - Riser AR - Adjustable Riser (Specify Separately) TS - Tree Strap (Specify Separately) CS - Custom Design (Consult Factory)
				* Powder Coat	

CR8 Lamp Ordering Guide (Select CR81 or CR8X)

Example: **1-27-16-1** CR81 Lamp, 2700K, 16 deg Beam, 1 Watt

1				
Prefix	LED Color	Beam	Watt	Input
	27 - 2700K 30 - 3000K 40 - 4000K 55 - 5500K	16 - 16 deg 25 - 25 deg 40 - 40 deg 85 - 85 deg	1 - 60 lm 2 - 120 lm	7-15 Vac CRI 85

Example: **X-27-40-5** CR8X Lamp, 2700K, 40 deg Beam, 5 Watt

X	27	40	5	
Prefix	LED Color	Beam	Watt	Input
	27 - 2700K 30 - 3000K 40 - 4000K 55 - 5500K	25 - 25 deg 40 - 40 deg 85 - 85 deg	3 - 180 lm 5 - 300 lm	10-15 Vac CRI 93



1501 San Elijo Rd., San Marcos, CA 920178
www.dglights.com info@dglights.com

