


Project: \_\_\_\_\_

Type: \_\_\_\_\_

Quantity: \_\_\_\_\_

The Paso is a high performance surface mount LED fixture focused on style and performance. No low voltage driver required. Body is precision cnc machined from solid billet material. The Paso can be mounted in downward or upward position. Smooth dimming to below 5%. Universal mounting plate fits 3.5 inch octagonal electrical box providing perfect fixture alignment.

## Specification

Light Source	LED
LED Rated Life	50,000 hours average **
Dimmable	< 5% MLV, ELV
Input	8 Minimum 12 Vac Maximum
Power Consumption	3 Watts Maximum
Standard LED Color	2700K +/- 175 CCT Typical
CRI	80 Typical
Cable Lead	1 foot (0.30 m) 18 ga wire
Standard Mounting	Surface via screw hardware
Operating Temperature	-31F to 122F (-35C to 50C)
Maintenance	Field serviceable
Thermal Management	Fixture is utilized as heat sink
Ingress Protection	IP67
Certification	

\* IES LM-80 Standard ensures led light source will provide lumen maintenance and color performance.

\*\* LED life is defined as the time to 70% lumen maintenance (L70)

**Remote Low Voltage Transformer Required**

## Features

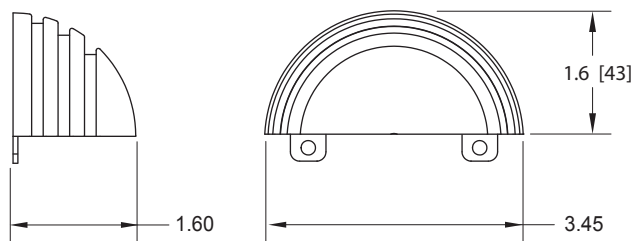
- Rugged Unibody CNC Machined Construction
- No Junction Box Required
- Housing Holds Wire Connections
- Field Serviceable
- No Electronics/Driver Required
- Dimmable With Most AC Dimmers
- Up to 200 lm Output
- IP67

## Ordering Guide

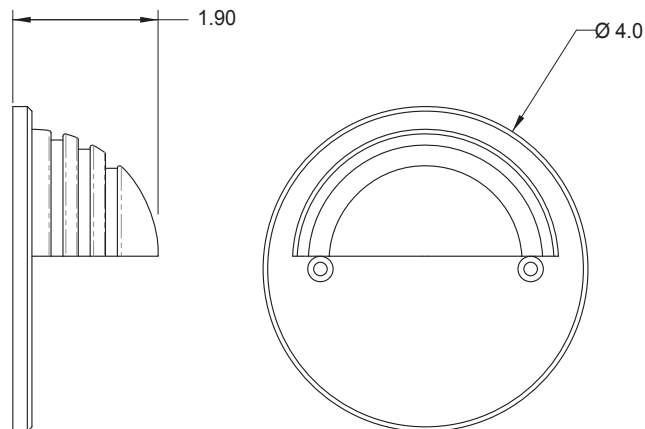
Example: **PA-BR-27-00-1-N** Paso, Brass, 2700k, No Accessory, Style 1, Natural Finish

PA					
<b>Prefix</b>	<b>Material</b>	<b>LED Color</b>	<b>Accessory</b>	<b>Style</b>	<b>Finish</b>
	AL - Aluminum BR - Brass CU - Copper	27 - 2700K 30 - 3000K	00 - None HX - HEX CELL DF - FROST	1 - Surface Mount 2 - Back Plate	N - Natural (Brass & Copper Only) BK - Black WT - White BN - Brown NK - Satin Nickel (Brass Only) PT - Patina Brown PD - Patina Dark Brown PB - Patina Black

## Dimensions inches [ mm ]



**Style 1 - Surface Mount**



**Style 2 - Cover Plate**  
Fits 3.5 inch octagonal electrical box



Vista, CA 92078  
+1 760-734-1123 Main +1 760-734-1176 Fax  
www.dglights.com info@dglights.com

