

LED Ultra Low Profile Surface Mount **RS35**


Project: _____ Type: _____ Quantity: _____

The RS35 is an ultra low profile surface mount luminaire. Intended applications include walkway, stairway, ramps, wall, deck and entrances. CNC machined from solid billet materials.

Engineered specifically for today's LED technology the RS35's design provides critical thermal transfer. Excellent heat removal ensures high performance and reliability of its LED light source.

The RS35 is available in multiple finishes. Field serviceable LED module. Suitable for use in wet locations.

Specification

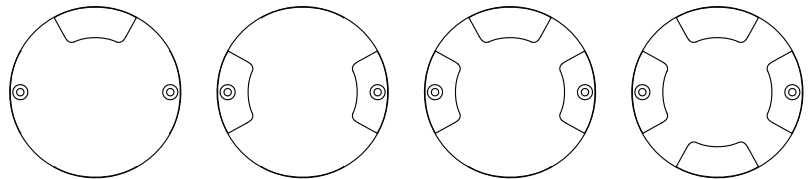
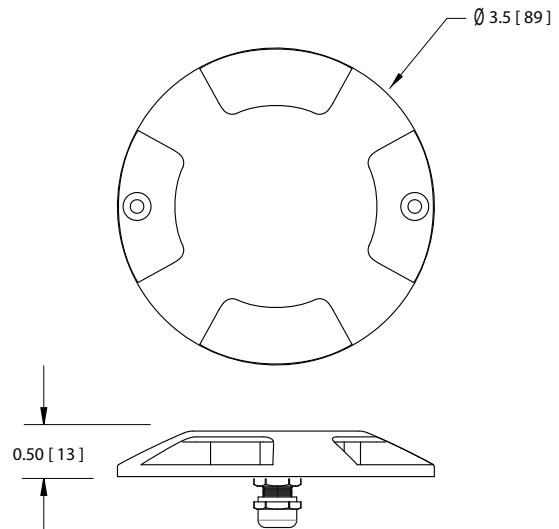
Light Source	Lighting Class Triple LED Module*
LED Rated Life	50,000 hours average **
Low Voltage Input	8-12Vac
DC Input	10Vdc 350ma Constant Current (Version DC)
Power Consumption	4 Watts
Standard LED Color	2700K +/- 175 CCT Typical
CRI	80 Typical
Lens Diffuser	Translucent UV resistant Acrylic
Cable Lead	3ft 18-2 AWG Direct Burial Rated
Standard Mounting	Direct Surface Mount by method of screw down
Operating Temperature	-31F to 122F (-35C to 50C)
Maintenance	Field serviceable LED module
Thermal Management	Fixture is utilized as heat sink
Ingress Protection	IP66
Certification	

* IES LM-80 Standard ensures led light source will provide lumen maintenance and color performance.

** LED life is defined as the time to 70% lumen maintenance (L70)

Remote Power Supply Required

Dimensions inches [mm]



1 - Single

2 - Double

3 - Triple

4 - Quad

Ordering Guide

Example: **RS35-BR-27-4-NK** RS35, Brass, 2700K, 4 Openings, Nickel Finish

Prefix	Material	LED Color	Openings	Input	Finish
AL	Aluminum	27 - Warm 2700K	1 - Single	12 - 12 Vac	N - Natural (brass & copper only)
BR	Brass	30 - Warm 3000K	2 - Double		CA - Clear Anodize (aluminum only)
CU	Copper	NW - Neutral 4000K	3 - Triple		BK - Black
		CW - Cool 5500K	4 - Quad		WT - White
		AM - Amber			BN - Brown
		RD - Red			GN - Green
		GN - Green			MP - Silver
		BL - Blue			NK - Nickel (brass only)
					PT - Patina
					C - Custom



Vista, CA 92081
 +1 760-734-1123 Tel
 www.dglights.com info@dglights.com

