


Project: \_\_\_\_\_

Type: \_\_\_\_\_ Quantity: \_\_\_\_\_

The XT-SQ represents the latest in micro LED fixture design. The XT's light source is the patent pending CR8 LED module. This innovative design is the only LED module that interfaces directly with its host fixture without mounting hardware.

Key features are tool-free interchangeable CR8 module and beam spreads. Suitable for use in wet locations.

### Specification

Light Source	C-Socket™ Quick Change™ CR8 LED Module *
LED Rated Life	50,000 hours average **
Input	9-15Vac 24Vdc
Power Consumption	5 Watts Maximum
Standard LED Color	3000K +/- 175 CCT Typical
CRI	80 Typical
Cable Lead	2 FT 18 AWG
Standard Mounting	Ground Stake
Operating Temperature	-31F to 122F (-35C to 50C)
Maintenance	Tool Free Plug-in LED Module
Thermal Management	Fixture is utilized as heat sink
Ingress Protection	IP66
Dimming	10-100%
Certification	

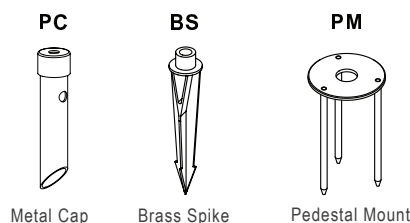


\* IES LM-80 Standard ensures led light source will provide lumen maintenance and color performance.

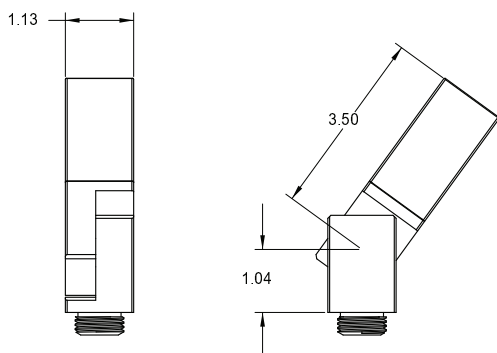
\*\* LED life is defined as the time to 70% lumen maintenance (L70)

**Remote Low Voltage Transformer or LED Driver Required**  
**Consult factory for dimming options**

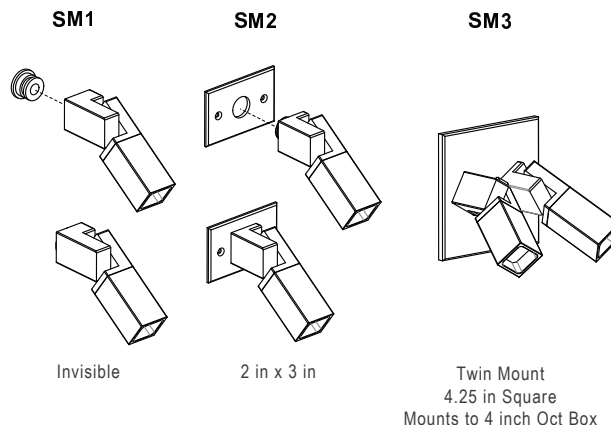
Ground Mounting Options ( Not to Scale )



Dimensions inches [ mm ]



Surface Mount Options ( Not to Scale )



### Ordering Guide

Example: **XTSQ-BR-1-30-M-HX-MP-SM1** XT Square, Brass, Single LED 2 Watt, 3000k, 25 deg Beam, Hex Cell Louver, Metallic Paint Finish, Invisible Surface Mount

Prefix	Material	LED	LED Color	Beam	Accessory	Finish	Mounting
XTSQ	AL - Alum BR - Brass CU - Copper	1 - Single 2W 3 - Triple 5W	27 - 2700K 30 - 3000K 40 - 4000K 55 - 5500K AM - Amber RD - Red GN - Green BL - Blue	N - 15 deg M - 25 deg W - 40 deg F - 85 deg	00 - None HX - Hex Cell	N - Natural BK - Black WT - White BN - Brown GN - Green MP - Metallic NK - Nickel Satin PT - Patina C - Custom **	PV - Ground Stake (Standard) PC - Metal Cap and Post BS - Cast Brass Spike PM - Pedestal Mount SM1 - Surface Invisible SM2 - Surface 2 x 3 SM3 - Surface Twin Mount TS - Tree Strap * CS - Custom Design **



+1 760-734-1123 Tel | +1 760-734-1176 Fax  
 www.dglights.com info@dglights.com

\* Specify Separately  
 \*\* Consult Factory

