


Project: _____ Type: _____ Quantity: _____

The Phoenix S is a highly quality LED spot engineered completely around today's best LED technology. The Phoenix's designed is based on aesthetics, performance and ease of service.

The Phoenix S is a high-lumen flood light utilizing the latest in LED socket and high-density LED chip technology. High density LED array delivers unprecedented light output and color consistency. This light source can be easily upgraded/replaced in the field without wiring or interconnects. The Phoenix S is available in 5 beam spreads with tool-free snap on reflectors. CNC machined from solid billet material to withstand the harshest environments.

The Phoenix is available in multiple finishes, lens options and accessories. Suitable for use in wet locations.

Specification

Light Source	High-Density LED Chip Array *
LED Rated Life	50,000 hours average **
Input	26-28 Vdc, Constant Current
Power Consumption	15 Watts Maximum
Standard LED Color	2700K +/- 175 CCT Typical
CRI	80 Typical
Lens Cover	3/16 inch Clear Tempered Glass
Cable Lead	3ft 18-2 AWG Direct Burial Rated
Standard Mounting	ABS Cap and PVC Post
Operating Temperature	-31F to 122F (-35C to 50C)
Maintenance	Field serviceable Driver Cable and LED module
Thermal Management	Fixture is utilized as heat sink
Ingress Protection	IP66
Certification	

* IES LM-80 Standard ensures led light source will provide lumen maintenance and color performance.

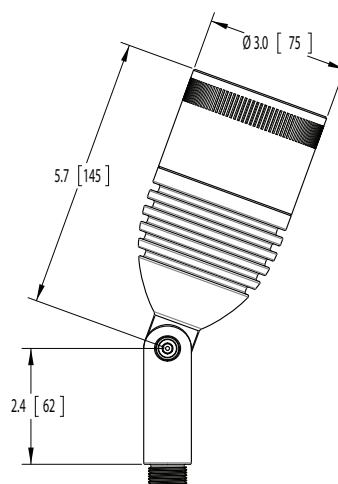
** LED life is defined as the time to 70% lumen maintenance (L70)

**Remote Constant Current LED Driver Required
Contact Sales Representative For Assistance**

Features

- Interchangeable LED Modules
- Interchangeable Optics
- IP66
- Recessed light source for glare control

Dimensions inches [mm]



Ordering Guide

Example: **PHS-BR-S-27-M28-HX-00-N-PV** Phoenix S, Brass, CRH Module, 2700k, 31deg Beam, Hex Cell Louver, Flush Cap, Natural Finish, Cap and Post

PHS		S						
Prefix	Material	Module	LED Color	CRH Beam	Accessory	Cap Style	Finish	Mounting
	AL - Aluminum BR - Brass CU - Copper	S - 15 Watt Maximum	27 - 2700K 30 - 3000K 40 - 4000K 57 - 5700K 65 - 6500K	N18 - 13 deg M28 - 28 deg W45 - 45 deg F115 - 115 deg	00 - None HX - Hex Cell	00 - Flush 01 - Angle 02 - Recessed	N - Natural BK - Black WT - White BN - Brown GN - Green MP - Silver NK - Nickel PT - Patina C - Custom	PV - ABS Cap PVC Post



2880 Scott Street, # 107, Vista, CA 92081
+1 760-734-1123 Tel +1 760-734-1176 Fax
www.dglights.com info@dglights.com

