


Project: _____ Type: _____ Quantity: _____

The TriPalm is a high performance LED spot. The TriPalm's design is based on longevity of service, aesthetics, performance and ease of use.

The heart of the TriPalm is the patent pending CR style LED module. This innovative design is the only LED module that interfaces directly with its host fixture without mounting hardware. By eliminating mounting hardware service and upgrade times are significantly reduced. Interfacing directly with fixture body the CR module is able to use the entire fixture as the heat sink providing critical heat transfer away from LED light source. CNC machined from solid billet material to withstand the harshest environments.

The TriPalm is available in many finishes, lens options and accessories. Key features are tool-free interchangeable CR style LED module with interchangeable optics and internal or external low voltage driver. Compatible with CRH (600+ lumens) led module. Suitable for use in wet locations.

Specification

Light Source	C-Socket™ Quick Change™ Type CRH LED Module *
LED Rated Life	50,000 hours average **
Input	11-15Vac
Power Consumption	8.5 Watts Maximum
Standard LED Color	2700K +/- 175 CCT Typical
CRI	80 Typical
Lens Cover	3/16 inch Clear Tempered Glass
Cable Lead	3ft 18-2 AWG Direct Burial Rated
Standard Mounting	ABS Cap and PVC Post
Operating Temperature	-31F to 122F (-35C to 50C)
Maintenance	Field serviceable Driver Cable and LED module
Thermal Management	Fixture is utilized as heat sink
Ingress Protection	IP66
Certification	

* IES LM-80 Standard ensures led light source will provide lumen maintenance and color performance.

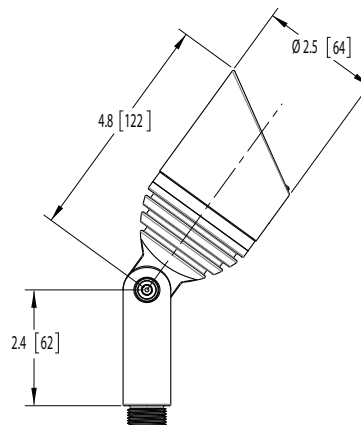
** LED life is defined as the time to 70% lumen maintenance (L70)

Remote Low Voltage Transformer Required

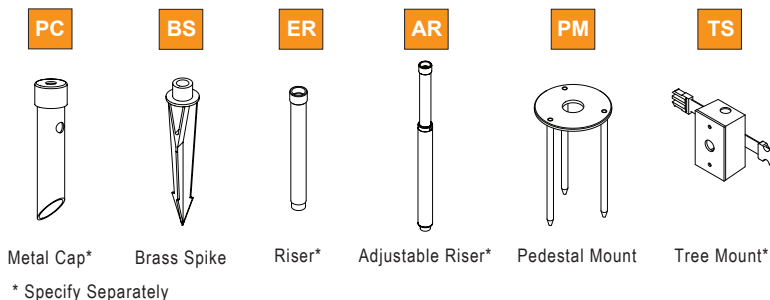
Features

- Interchangeable LED Module
- Interchangeable Optics
- Internal or External Low Voltage LED Driver
- IP66
- Recessed light source for glare control

Dimensions inches [mm]



Mounting Options (Not to Scale)



* Specify Separately



Ordering Guide

Example: **TP-BR-CRH-27-INT-M31-HX-01-N-PM** TriPalm, Brass, CRH Module, 2700k, Internal Driver, 31deg Beam, Hex Cell Louver, Angle Cap, Natural, Pedestal Mount

TP									
Prefix	Material	Module	LED Color	Driver	Beam	Accessory	Cap Style	Finish	Mounting
	AL- Aluminum BR- Brass CU- Copper	CRH - 8.5 Watt	27 - 2700K 30 - 3000K 40 - 4000K 57 - 5700K 65 - 6500K	INT - Internal EXT - External	N18 - 18 deg M31 - 31 deg W50 - 50 deg F120 - 120 deg	00 - None HX - Hex Cell	00 - Flush 01 - Angle 02 - Recessed	N - Natural BK - Black WT - White BN - Brown GN - Green MP - Silver NK - Nickel PT - Patina C - Custom	PV - ABS Cap PVC Post (Standard) PC - Metal Cap * BS - Cast Brass Spike ER - Extension Riser * AR - Adjustable Riser * PM - Pedestal Mount TS - Tree Strap * * Specify Separately



2880 Scott Street, # 107, Vista, CA 92081
+1 760-734-1123 Tel +1 760-734-1176 Fax
www.dglights.com info@dglights.com

