


Project: _____ Type: _____ Quantity: _____

The RS35 is an ultra low profile surface mount luminaire. Intended applications include walkway, stairway, ramps, wall, deck and entrances. CNC machined from solid billet materials.

Engineered specifically for today's LED technology the RS35's design provides critical thermal transfer. Excellent heat removal ensures high performance and reliability of its LED light source.

The RS35 is available in multiple finishes. Field serviceable LED module. Suitable for use in wet locations.

Specification

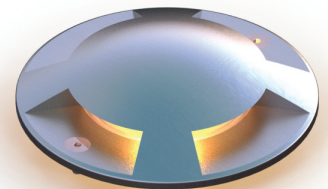
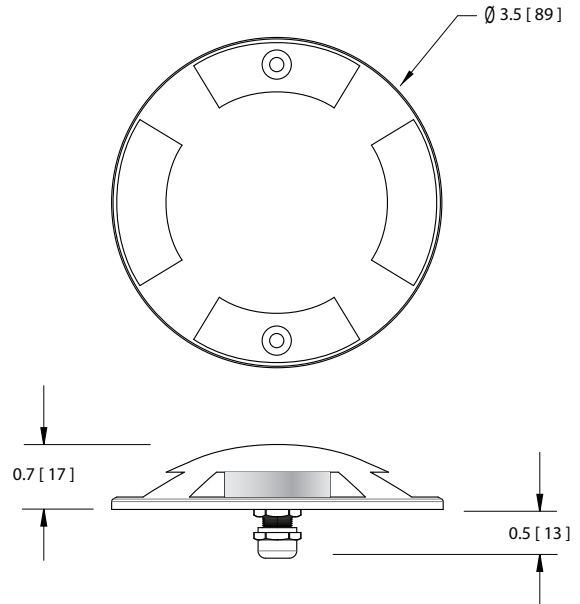
Light Source	Lighting Class Triple LED Module*
LED Rated Life	50,000 hours average **
Low Voltage Input	10-15Vac (Version 12)
DC Input	10Vdc 350ma Constant Current (Version DC)
Power Consumption	4 Watts
Standard LED Color	2700K +/- 175 CCT Typical
CRI	80 Typical
Lens Diffuser	Translucent UV resistant Acrylic
Cable Lead	3ft 18-2 AWG Direct Burial Rated
Standard Mounting	Direct Surface Mount by method of screw down
Operating Temperature	-31F to 122F (-35C to 50C)
Maintenance	Field serviceable LED module
Thermal Management	Fixture is utilized as heat sink
Ingress Protection	IP66
Certification	

* IES LM-80 Standard ensures led light source will provide lumen maintenance and color performance.

** LED life is defined as the time to 70% lumen maintenance (L70)

Remote Power Supply Required

Dimensions inches [mm]



Ordering Guide

Example: **RS35-BR-27-4-12-NK** RS35, Brass, 2700K, 4 Openings, Low Voltage Input, Nickel Finish

RS35					
Prefix	Material	LED Color	Openings	Input	Finish
AL - Aluminum	27 - Warm 2700K	1 - Single	12 - 12-15Vac	N - Natural (brass & copper only)	
BR - Brass	30 - Warm 3000K	2 - Double	DC - 10Vdc *	CA - Clear Anodize (aluminum only)	
CU - Copper	NW - Neutral 4000K	3 - Triple		BK - Black	
	CW - Cool 5500K	4 - Quad		WT - White	
	AM - Amber			BN - Brown	
	RD - Red			GN - Green	
	GN - Green			MP - Silver	
	BL - Blue			NK - Nickel (brass only)	
				PT - Patina	
				C - Custom	

* LED Driver Required
Specify Separately
Contact sales representative for assistance



2880 Scott Street, # 107, Vista, CA 92081
+1 760-734-1123 Tel +1 760-734-1176 Fax
www.dglights.com info@dglights.com

