


Project: _____ Type: _____ Quantity: _____

The Luxtera represents the latest in LED fixture design. At the Luxtera's core is the patent pending CR LED module™. This innovative plug-in design is the only LED module that interfaces with its host fixture without the use of mounting hardware. By eliminating mounting hardware service and upgrade times are reduced to only a few seconds. By interfacing securely with fixture body the CR module is able to transfer heat away from LED light source through fixture to surrounding air.

The TriPalm is available in many finishes, lens options and accessories. Key features are tool-free interchangeable CR Module™ with tool-free interchangeable optics. Compatible with CRH (600+ lumens) led module. Suitable for use in wet locations.

Specification

Light Source	C-Socket™ Quick Change™ Type CRH LED Module *
LED Rated Life	50,000 hours average **
Input	11-15Vac
Power Consumption	8.5 Watts Maximum
Standard LED Color	2700K +/- 175 CCT Typical
CRI	80 Typical
Lens Cover	3/16 inch Clear Tempered Glass
Cable Lead	15ft 18-2 AWG Direct Burial Rated
Mounting	Surface Mount
Operating Temperature	-31F to 122F (-35C to 50C)
Maintenance	Field serviceable Driver Cable and LED module
Thermal Management	Fixture is utilized as heat sink
Ingress Protection	IP66
Certification	

* IES LM-80 Standard ensures led light source will provide lumen maintenance and color performance.

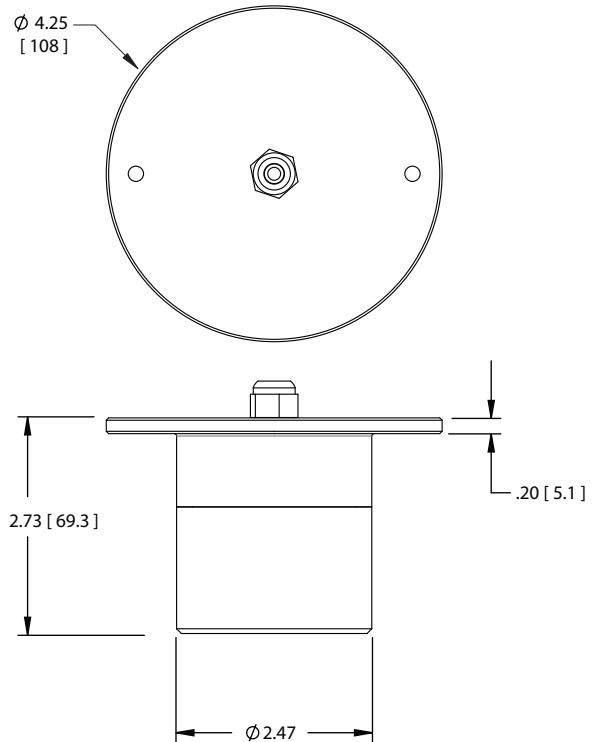
** LED life is defined as the time to 70% lumen maintenance (L70)

Remote Low Voltage Transformer Required

Features

- Interchangeable LED Module
- Interchangeable Optics
- Internal or External Low Voltage LED Driver
- IP66
- Recessed light source for glare control

Dimensions inches [mm]



Ordering Guide

Example: **LX-BR-CRH-27-INT-M31-HX-01-N** Luxtera, Brass, CRH Module, 2700k, External Driver, 31deg Beam, Hex Cell Louver, Natural Finish

Prefix	Material	Module	LED Color	Driver	Beam	Accessory	Finish
LX	AL- Aluminum BR- Brass CU- Copper	CRH - 8.5 Watt	27 - 2700K 30 - 3000K 40 - 4000K 57 - 5700K 65 - 6500K	EXT - External	N18 - 18 deg M31 - 31 deg W50 - 50 deg F120 - 120 deg	00 - None HX - Hex Cell	N - Natural BK - Black WT - White BN - Brown GN - Green MP - Silver NK - Nickel PT - Patina C - Custom



2880 Scott Street, # 107, Vista, CA 92081
+1 760-734-1123 Tel +1 760-734-1176 Fax
www.dglights.com info@dglights.com

