

Project: _____


Type: _____

Quantity: _____

The GL2-360 is a dual light source recessed fixture intended for low level and decorative illumination. Unlike competing designs the GL2-360's patent pending quick change CR Module is aimed directly towards the intended surface and not inefficiently redirected by an internal reflector. This significantly improves fixture efficacy, reducing wattage and providing superior light output and coverage. The CR Module is the only LED module that requires no mounting hardware to interface with fixture. The absence of mounting hardware reduces service/upgrade time to merely seconds. The interface between CR Module and fixture body provides critical heat transfer away from LED.

The GL2-360 is completely sealed against moisture intrusion and can be installed in any orientation. The GL2-360's rugged construction is engineered for the harshest environments. Constructed from solid billet materials the GL2-360's body can handle anything maintenance might bring its way. Completely sealed by dual o-ring compression. Suitable for wet location.

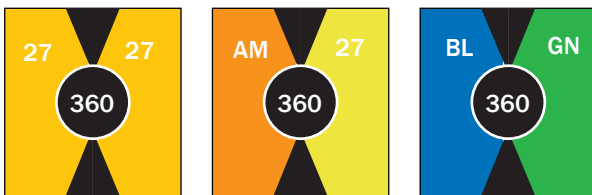
Specification

Light Source	CR LED Module*
LED Rated Life	50,000 hours average **
Low Voltage Input	7-15Vac (Version 12)
Power Consumption	4 Watts
Standard LED Color	2700K +/- 175 CCT Typical
CRI	80 Typical
Lens Diffuser	Heavy Wall Translucent UV Resistant Acrylic
Cable Lead	3ft 18-2 AWG Direct Burial Rated
Standard Mounting	1.5 inch Schedule 40 PVC Electrical Conduit
Operating Temperature	-31F to 122F (-35C to 50C)
Maintenance	Field serviceable LED module
Thermal Management	Fixture is utilized as heat sink
Ingress Protection	IP66
Certification	

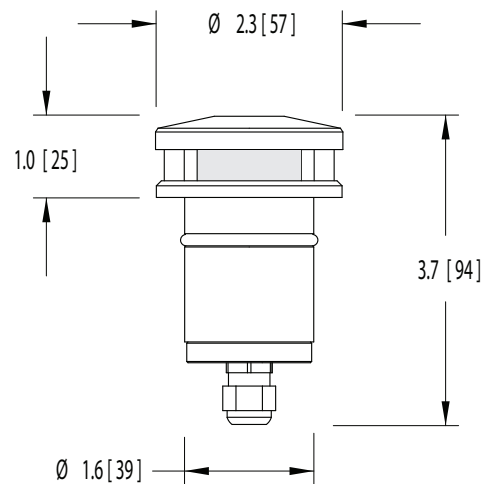
* IES LM-80 Standard ensures led light source will provide lumen maintenance and color performance.

** LED life is defined as the time to 70% lumen maintenance (L70)

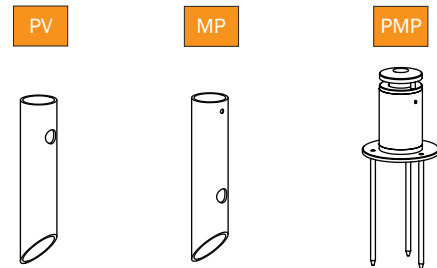
Remote Power Supply Required



Dimensions inches [mm]



Mounting Options (Not to Scale)



1.5 inch Sch 40 PVC

Metal Post *

Post Pedestal Mount *

* Specify Separately

Ordering Guide

Example: **GL2-360-BR-27-27-225-NK-MP** GL2, Brass, 2700K, 2700K, 2.25 inch Top, Nickel Finish, Metal Post Mount

GL2-360						
Prefix	Material	LED 1 Color	LED 2 Color	Top Size	Finish	Mounting
AL - Aluminum	27 - Warm 2700K	27 - Warm 2700K	225 - 2.3 inch	N - Natural (brass & copper only)	PV - PVC Conduit	
BR - Brass	30 - Warm 3000K	30 - Warm 3000K	300 - 3.5	CA - Clear Anodize (aluminum only)	MP - Metal Post	
CU - Copper	40 - Neutral 4000K	40 - Neutral 4000K		BK - Black	PMP - Post Pedestal Mount	
	55 - Cool 5500K	55 - Cool 5500K		WT - White		
	AM - Amber	AM - Amber		BN - Brown		
	RD - Red	RD - Red		GN - Green		
	GN - Green	GN - Green		MP - Silver		
	BL - Blue	BL - Blue		NK - Nickel (brass only)		
				PT - Patina		
				C - Custom		



2880 Scott Street, # 107, Vista, CA 92081
 +1 760-734-1123 Tel +1 760-734-1176 Fax
 www.dglights.com info@dglights.com

